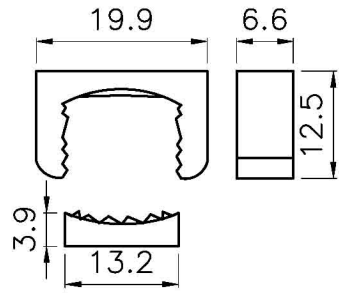
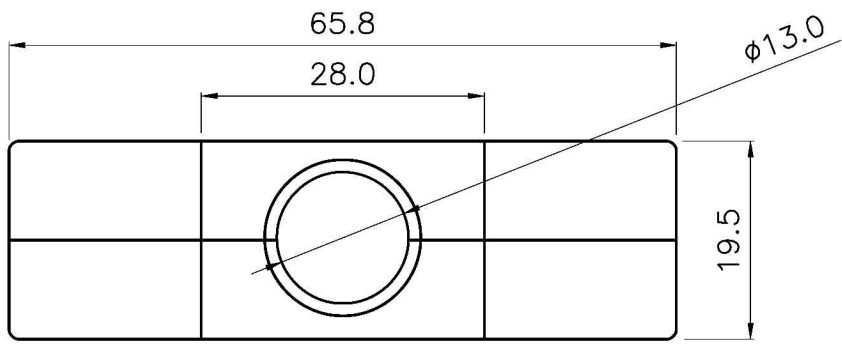


RoHS COMPLIANT

REV	ECN NO.	DESCRIPTION	DATE
A		RELEASE	NOV. 05'15

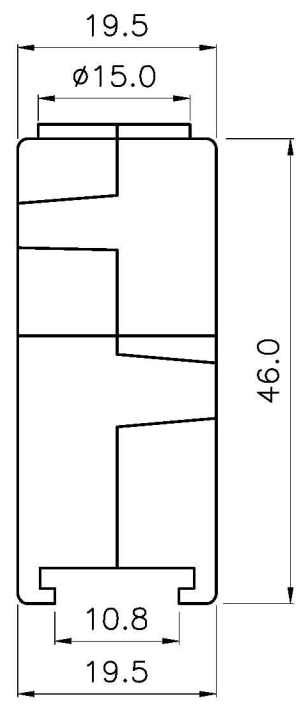
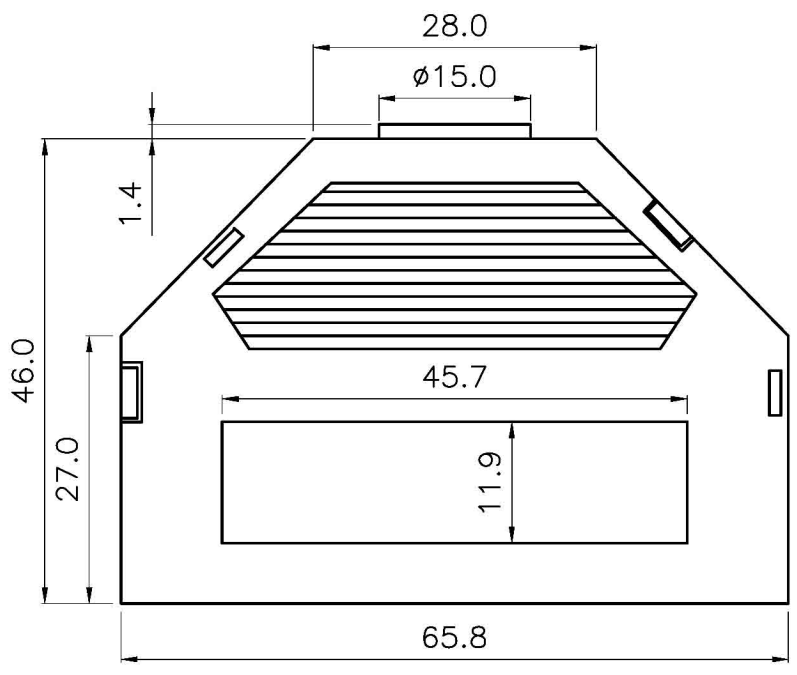


MATERIAL:
INSULATOR : ABS UL94HB

CH50A * N - **
a b

a.INSULATOR FINISH:
P=ABS PLASTIC.
C=CHROMATE PLATED.

b.INSULATOR COLOR:
BLANK=GREY.(STANDARD)
BK=BLACK.



TOLERANCE UNLESS OTHERWISE SPECIFIED			PROJECTION		GOLD-TEK ELECTRIC CO., LTD.	
LINEAR		ANGLE			TITLE	PART NO.
X. ± 0.50	X° ±		UNITS	Centronic 50Pin Hood	CH50A*N(-BK)	
.X ± 0.35	.X° ±		MM	Snap-in Type	CAD NO. I0147A	
.XX ± 0.25	.XX° ±		SCALE	CPART NO.	SHEET	
.XXX±	.XXX° ±		SIZE		F:\PDF\MP\MP-0603	
APPD			A4		1 OF 1	
CHKD						
DRAW	Z	NOV. 05'2015				

圖面編號:GTKSD3221-A(1)