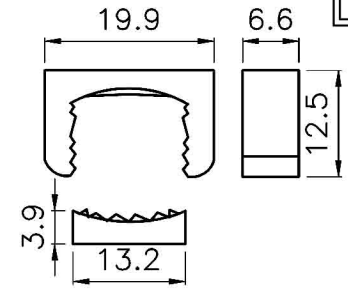
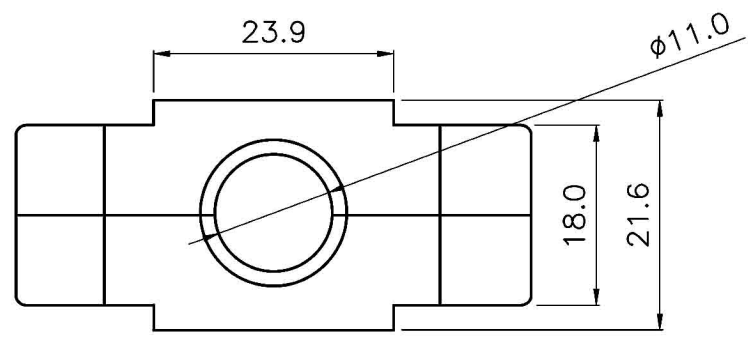


RoHS COMPLIANT

REV	ECN NO.	DESCRIPTION	DATE
A		RELEASE	NOV. 05'15

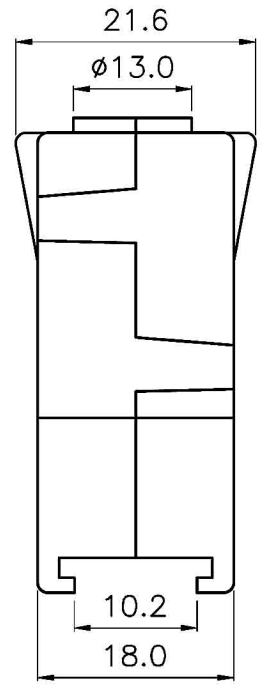
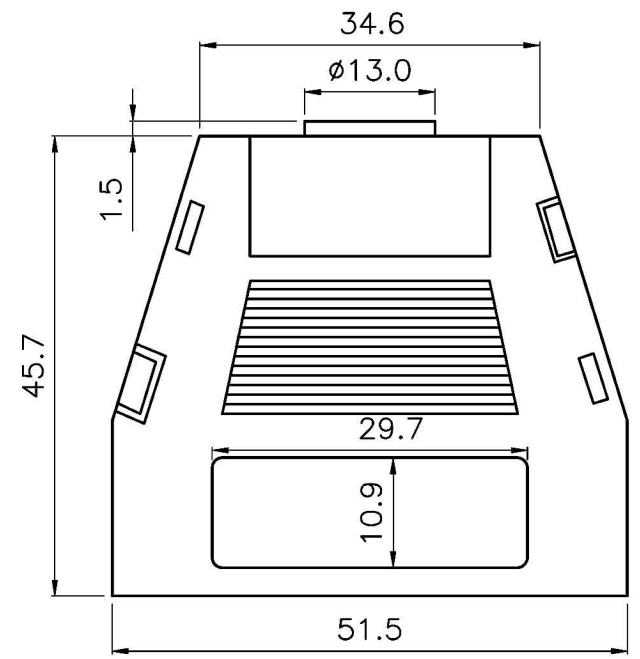


MATERIAL:
INSULATOR : ABS UL94HB

CH36A * N - **
a b

a.INSULATOR FINISH:
P=ABS PLASTIC.
C=CHROMATE PLATED.

b.INSULATOR COLOR:
BLANK=GREY.(STANDARD)
BK=BLACK.



TOLERANCE UNLESS OTHERWISE SPECIFIED		PROJECTION	GOLD-TEK ELECTRIC CO., LTD.	
LINEAR	ANGLE	UNITS	TITLE	PART NO.
X. ± 0.50	X° ±	MM	Centronic 36Pin Hood Snap-in Type	CH36A*N(-BK)
.X ± 0.35	.X° ±			
.XX ± 0.25	.XX° ±		CAD NO. I0147A	SHEET
.XXX±	.XXX° ±		F:\PDF\MP\MP-0602	1 OF 1
APPD		SCALE	CPART NO.	
CHKD		SIZE		
DRAW	Z	A4		
				圖面編號:GTKSD3220-A(1)
	NOV. 05'2015			