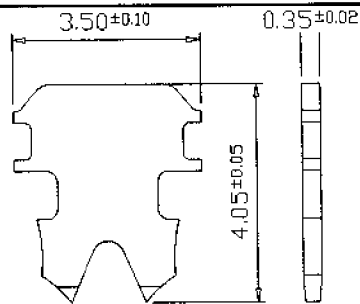
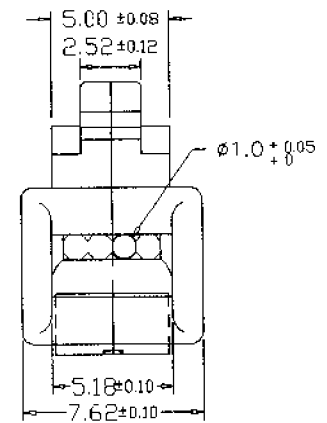
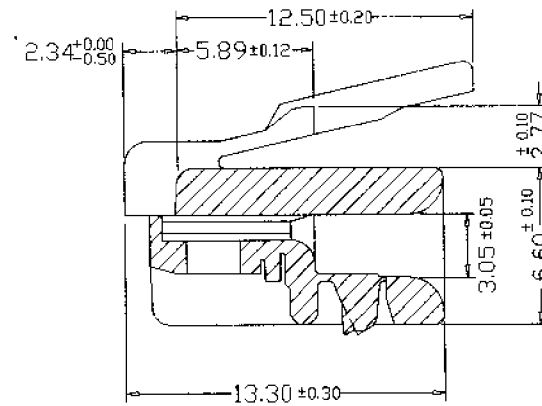
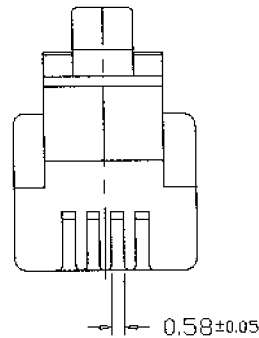
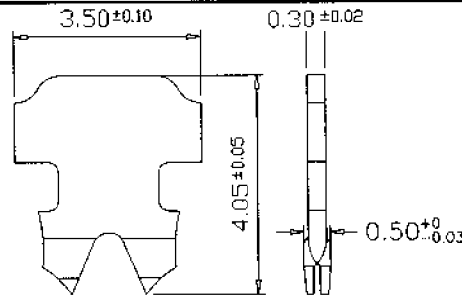


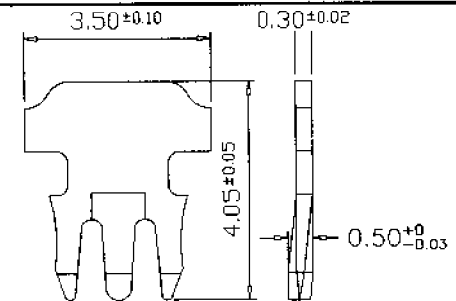
#111 : MP4P4C



“ ” : 2 PRONGS FOR STRANDED WIRE  
多芯線用二叉型金片



“2” : 2 PRONGS FOR SOLID WIRE(SS)  
單芯線用大拐角型金片



“3” : 3 PRONGS FOR SOLID WIRE(S)  
單芯線用三叉型金片

Standard Logo : COB     Special Logo : \_\_\_\_\_     Blank

產品編號 ITEM No.

UL 94V-0	<input type="checkbox"/> #111-0A	<input type="checkbox"/> #111-02A	<input type="checkbox"/> #111-03A	Fl
	<input type="checkbox"/> #111-0B	<input type="checkbox"/> #111-02B	<input type="checkbox"/> #111-03B	6l
	<input type="checkbox"/> #111-0C	<input type="checkbox"/> #111-02C	<input type="checkbox"/> #111-03C	15l
	<input type="checkbox"/> #111-0D	<input type="checkbox"/> #111-02D	<input type="checkbox"/> #111-03D	30l
	<input type="checkbox"/> #111-0E	<input type="checkbox"/> #111-02E	<input type="checkbox"/> #111-03E	50l
UL 94V-2	<input type="checkbox"/> #111-2A	<input type="checkbox"/> #111-22A	<input type="checkbox"/> #111-23A	Fl
	<input type="checkbox"/> #111-2B	<input type="checkbox"/> #111-22B	<input type="checkbox"/> #111-23B	6l
	<input type="checkbox"/> #111-2C	<input type="checkbox"/> #111-22C	<input type="checkbox"/> #111-23C	15l
	<input type="checkbox"/> #111-2D	<input type="checkbox"/> #111-22D	<input type="checkbox"/> #111-23D	30l
	<input type="checkbox"/> #111-2E	<input type="checkbox"/> #111-22E	<input type="checkbox"/> #111-23E	50l

#111 [B] — [C] [D] [E]

鍍金厚度 Gold plating(A,B,C,D,E)

金片型式 Contacts type(blank,2,3)

塑膠材質 Housing Material(0,2)

商標 Logo(COB,other or blank)

UNIT: m/m

COBLE ENTERPRISE CO., LTD.

TITLE #111\*-\*\* MP4P4C

APPROVE PETER KUO DESIGN C.M.CHEN

DATE 5-20-2004 F. No. 111