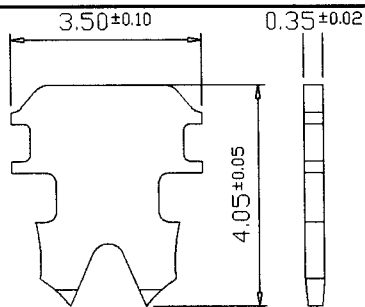
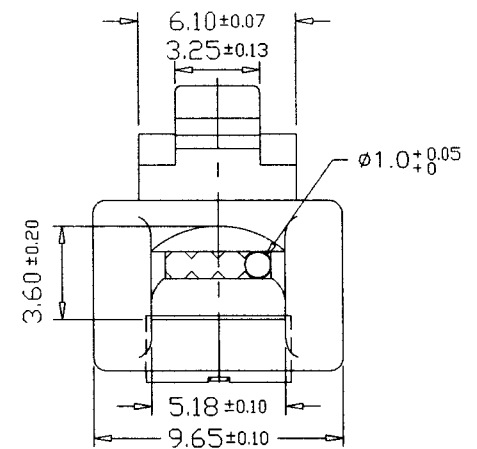
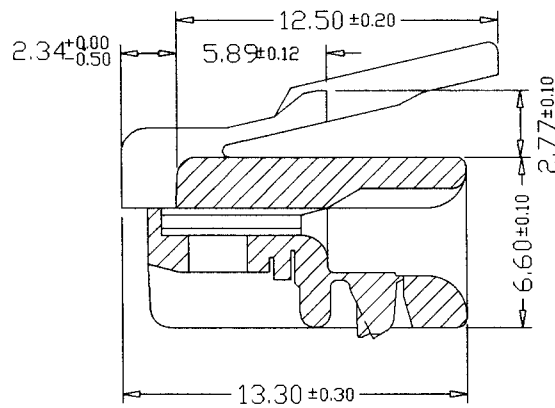
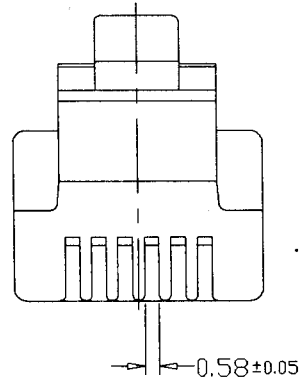
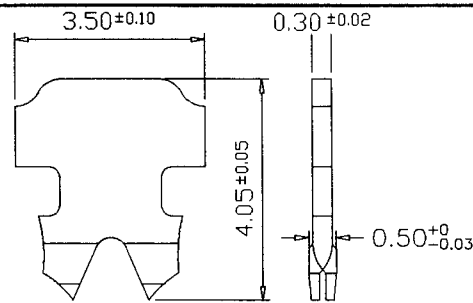


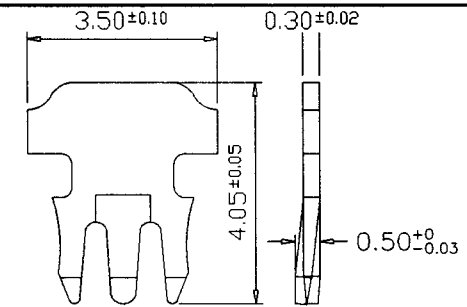
#107 : MP6P4C R



“1” : 2 PRONGS FOR STRANDED WIRE
多芯線用二叉型金片



“2” : 2 PRONGS FOR SOLID WIRE(SS)
單芯線用大拐角型金片



“3” : 3 PRONGS FOR SOLID WIRE(S)
單芯線用三叉型金片

Standard Logo : COB Special Logo : _____ Blank

產品編號 ITEM No.

UL 94V-0	<input type="checkbox"/> #107-0A	<input type="checkbox"/> #107-02A	<input type="checkbox"/> #107-03A	Fl
	<input type="checkbox"/> #107-0B	<input type="checkbox"/> #107-02B	<input type="checkbox"/> #107-03B	6l
	<input type="checkbox"/> #107-0C	<input type="checkbox"/> #107-02C	<input type="checkbox"/> #107-03C	15l
	<input type="checkbox"/> #107-0D	<input type="checkbox"/> #107-02D	<input type="checkbox"/> #107-03D	30l
	<input type="checkbox"/> #107-0E	<input type="checkbox"/> #107-02E	<input type="checkbox"/> #107-03E	50l
UL 94V-2	<input type="checkbox"/> #107-2A	<input type="checkbox"/> #107-22A	<input type="checkbox"/> #107-23A	Fl
	<input type="checkbox"/> #107-2B	<input type="checkbox"/> #107-22B	<input type="checkbox"/> #107-23B	6l
	<input type="checkbox"/> #107-2C	<input type="checkbox"/> #107-22C	<input type="checkbox"/> #107-23C	15l
	<input type="checkbox"/> #107-2D	<input type="checkbox"/> #107-22D	<input type="checkbox"/> #107-23D	30l
	<input type="checkbox"/> #107-2E	<input type="checkbox"/> #107-22E	<input type="checkbox"/> #107-23E	50l

#107

B — C D E

鍍金厚度 Gold plating(A,B,C,D,E)

金片型式 Contacts type(blank,2,3)

塑膠材質 Housing Material(0,2)

商標 Logo(COB,other or blank)

UNIT: m/m

COBLE ENTERPRISE CO., LTD.

TITLE #107*-** MP6P4C R

APPROVE PETER KUO DESIGN C.M.CHEN

DATE 5-20-2004 F. No. 107