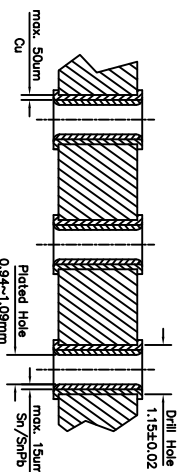
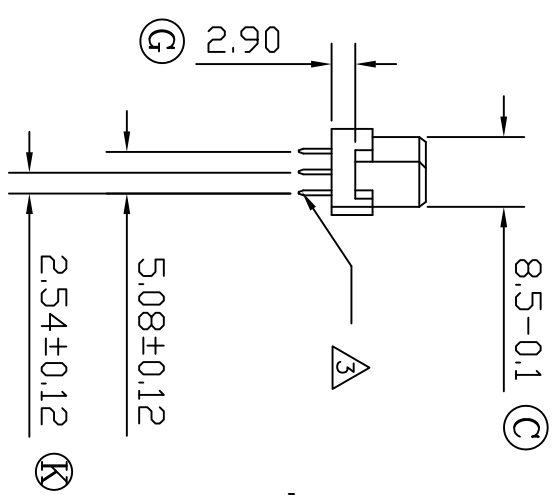
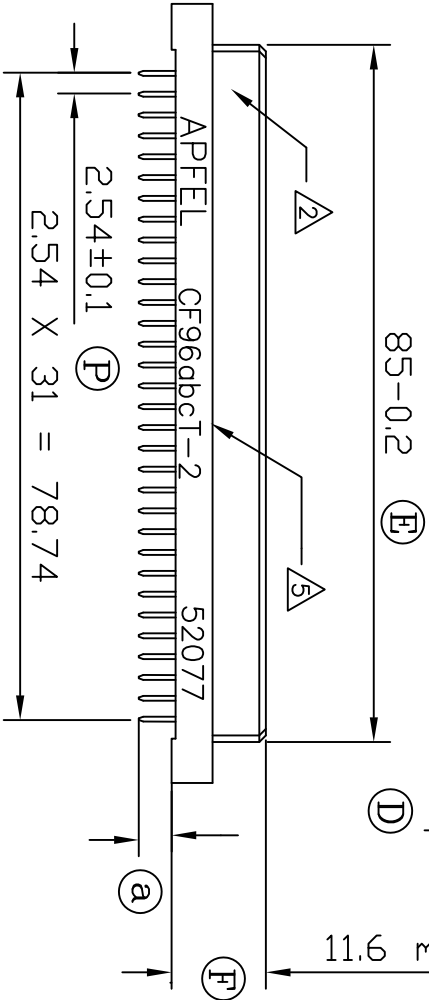
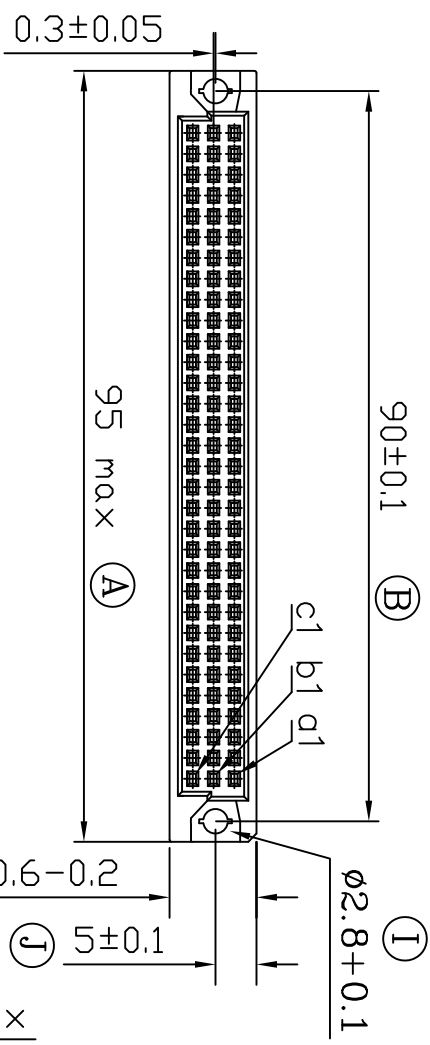


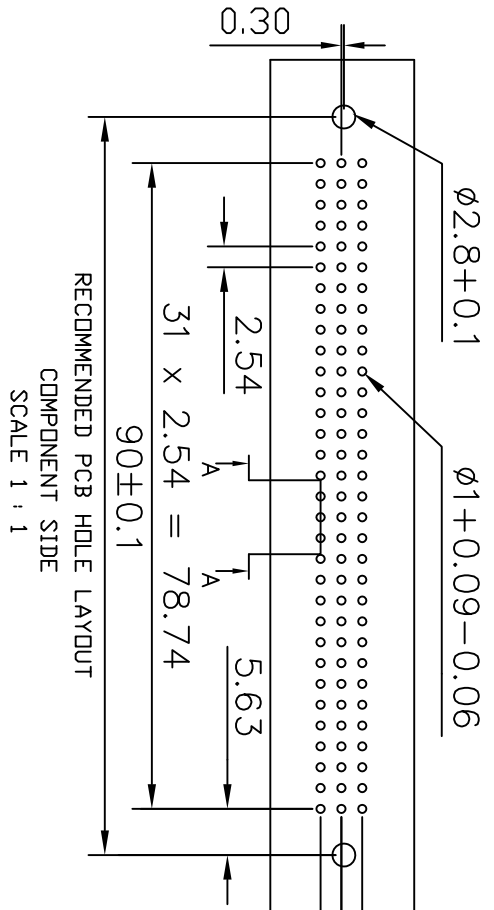
REV	DESCRIPTION OF REVISIONS	DATE	DRAWN	CHECKED
A	FIRST RELEASE	03/05/1997	ST Ling	H Shen

NOTES :

- ① CONNECTOR MEETS REQUIREMENT OF DIN 41612
- ② MATERIAL :
-HOUSING : GLASS-FILLED PBT, COLOR GREY, UL 94V-0
-CONTACT : COPPER ALLOY
- ③ CONTACT TAIL DIMENSION (THICKNESS x WIDTH x LENGTH)
T : 0.3±0.02 x 0.64±0.04 x 4±0.2
T2.5 : 0.3±0.02 x 0.64±0.04 x 2.5±0.2
W5 : 0.6±0.015 x 0.6±0.03-0.05 x 5±0.2
W7 : 0.6±0.015 x 0.6±0.03-0.05 x 7.4±0.2
- ④ CONTACT FINISH (OPTION IN PART NUMBER)
-1 : CLASS 1
-2 : CLASS 2
-L : CLASS 3
- ⑤ CONNECTOR PRINTED WITH LUBRICANT



RECOMMENDED HOLE SPECIFICATIONS
SECTION A-A
SCALE 6 : 1



RECOMMENDED PCB HOLE LAYOUT
COMPONENT SIDE
SCALE 1 : 1

DESCRIPTION : FEMALE TYPE C, 96 CONTACTS,
STRAIGHT SOLDER CONNECTORS
CUSTOMER DRAWING

PART NUMBER

No.1 CF96abcT-1	No.4 CF96abcT-1L
No.2 CF96abcT-2	No.5 CF96abcT-2L
No.3 CF96abcT	No.6 CF96abcT-1L

APFEL

MILLIMETRE
X.XX ±0.012
X.XX ±0.05
X.X ±0.1
X ±0.25

DRAWN	UNITS	ANGLE	DRAWING NO.
ST Ling	mm	±1°	A0746.DWG
CHECKED	SCALE	REV	
H Shen	1:1	A	