



SHENZHEN BREE LIGHTING Co., LIMITED

Bld. M & J, Maoyuan Industrial Park, Zhangkengjing, Guanlan, Baoan, Shenzhen, Guangdong, China
 Tel: +86-755-29739398/29676092 Fax: +86-755-89328498
 E-mail: sales@breeighting.com Web: www.breeighting.com

< Specifications. >

Version:A0

(PIC) Model No.				
	BR-FL10W-07(ID:VD)	BR-FL20W-07(ID:VD)	BR-FL30W-07(ID:VD)	BR-FL50W-07(ID:VD)

Photoelectric Spec

Item	Power	Input Voltage	Input Frequency	Leds	Power Factor	LuminousFlux	Beam Angle	Weight
BR-FL10W-07(ID:VD)	10W	AC100-240V	50/60HZ	SMD 5730	>0.9	900 Lm	120°	0.45 kg
BR-FL20W-07(ID:VD)	20W	AC100-240V	50/60HZ	SMD 5730	>0.9	1900 Lm	120°	0.71 kg
BR-FL30W-07(ID:VD)	30W	AC100-240V	50/60HZ	SMD 5730	>0.9	3000 Lm	120°	1.15 kg
BR-FL50W-07(ID:VD)	50W	AC100-240V	50/60HZ	SMD 5730	>0.9	5000 Lm	120°	1.96 kg

Light Source Spec

LED Type	SMD 5730
Color Accuracy(CRI)	CRI>70
Color	WW(3000-3500K) NW (4000-4500K) CW(5000-6500K)

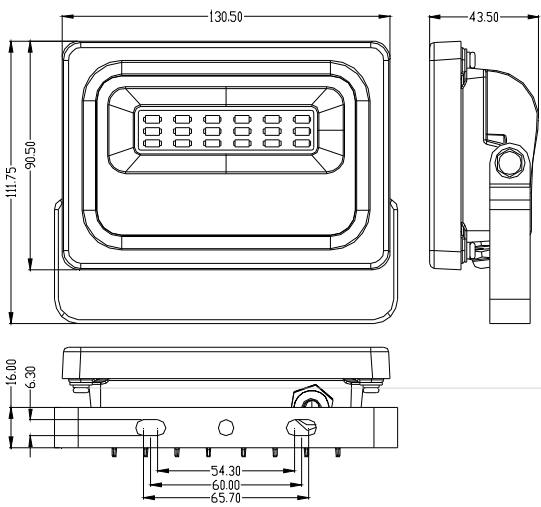
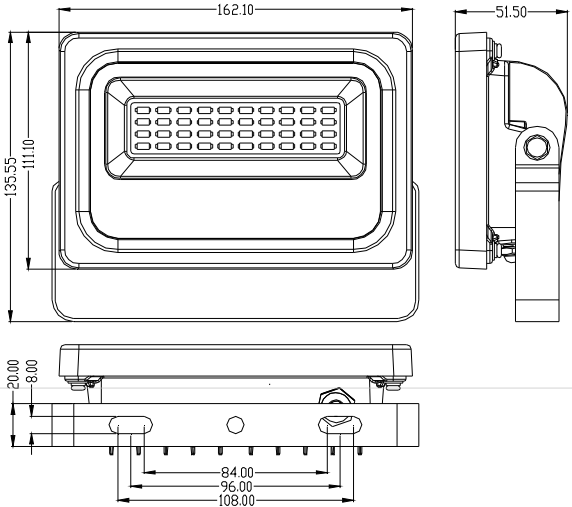
Environment Spec.

Operational Temperature Range	-20~50 °C
Preservation Temperature Range	-40~60 °C
Operational Humidity Range	95% Rh or below(@ -20°C~50°C)
Installation Area	Outdoor:IP65(Roadway, Pathway, Sidewalk,etc)
Lifespan	3Years

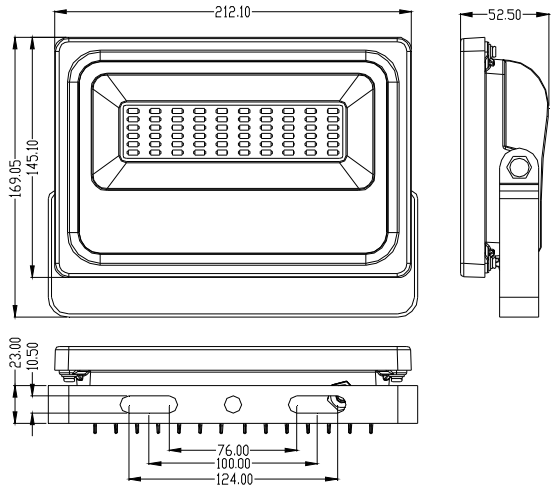
Certification standard



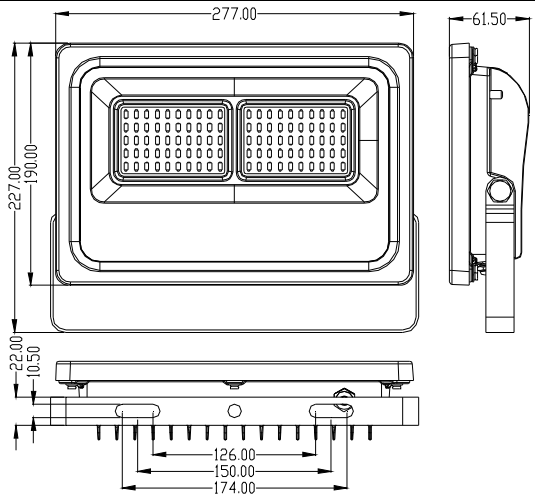
Dimension Diagram

BR-FL10W-07(ID:VD)	BR-FL20W-07(ID:VD)
	

BR-FL30W-07(ID:VD)

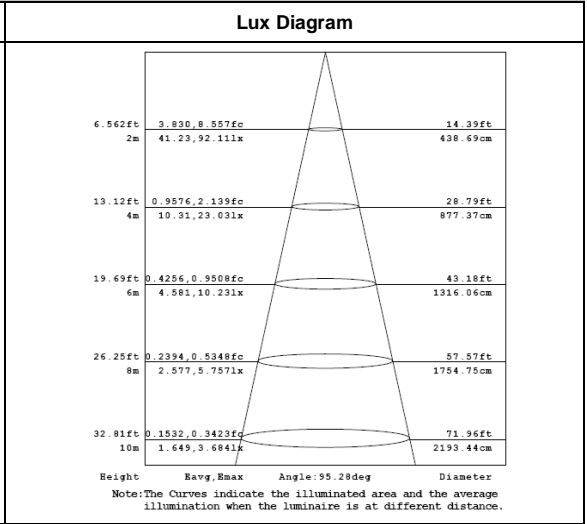
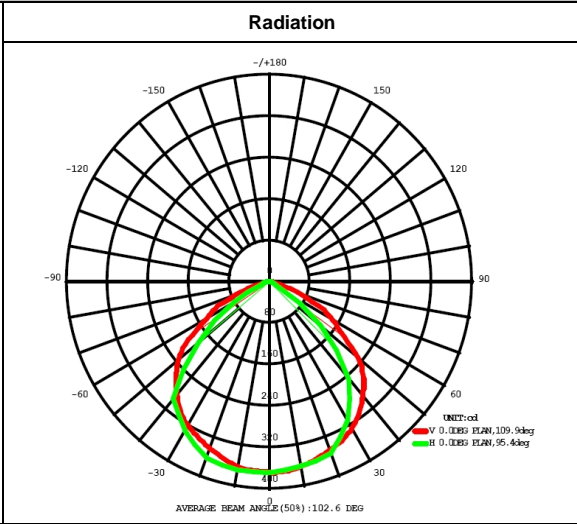


BR-FL50W-07(ID:VD)

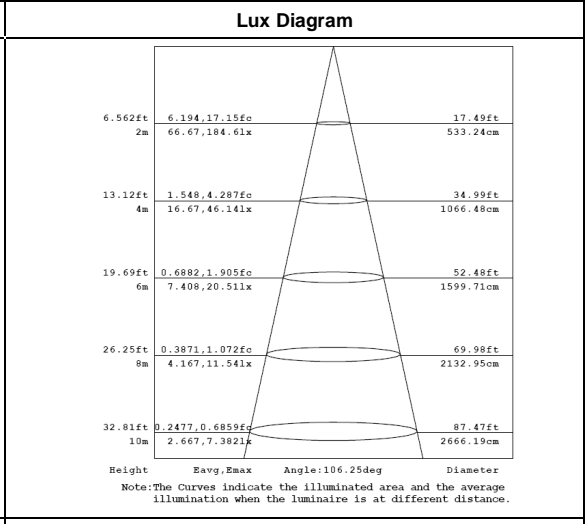
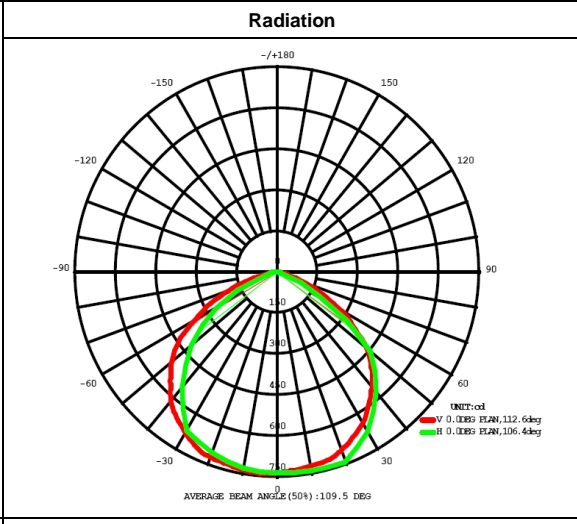


Optical Spec

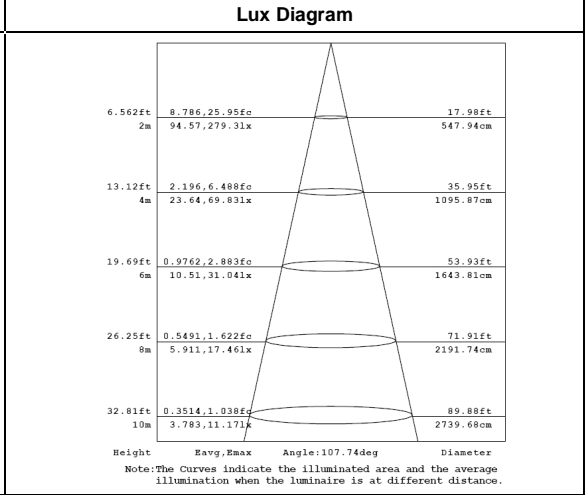
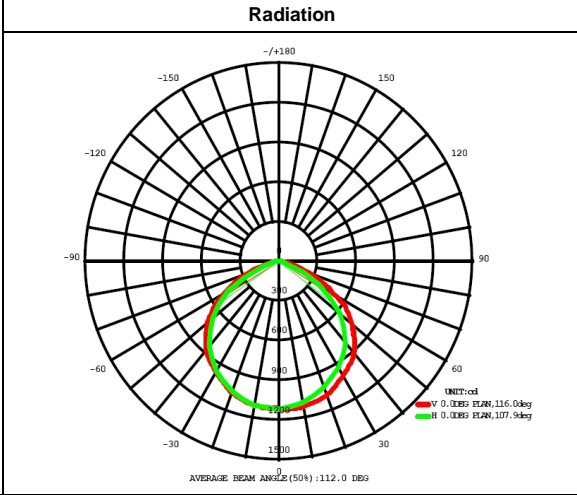
BR-FL10W-07(ID:VD)



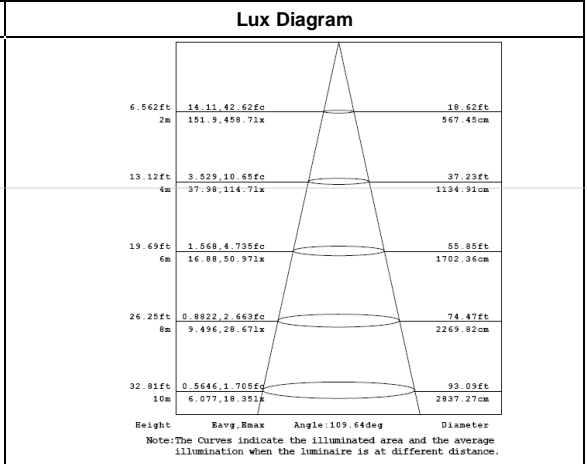
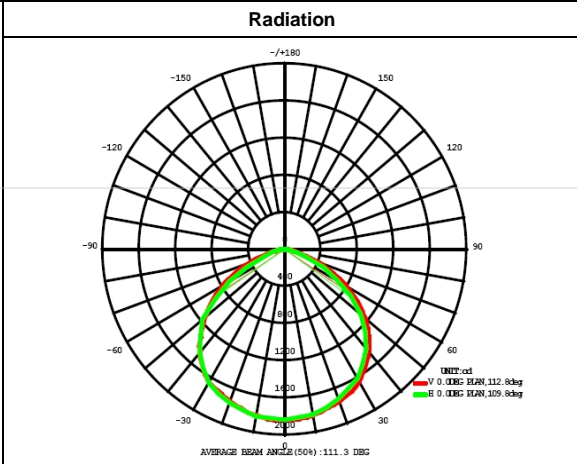
BR-FL20W-07(ID:VD)



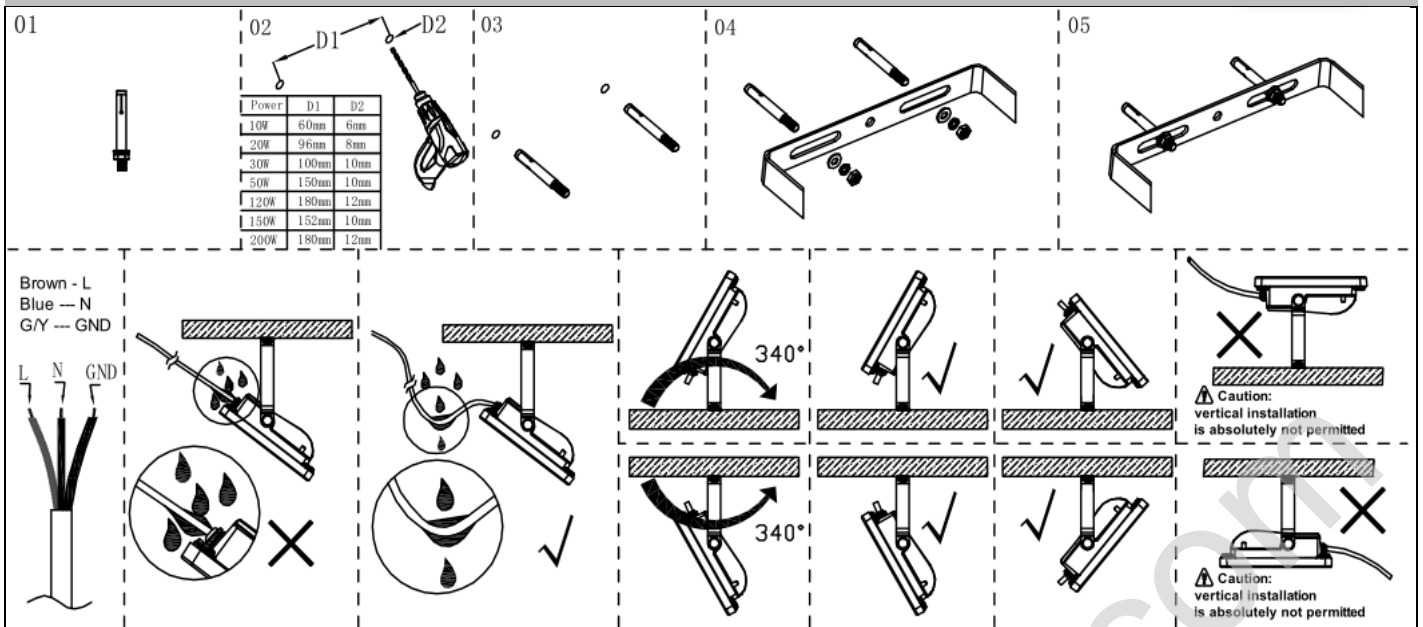
BR-FL30W-07(ID:VD)



BR-FL50W-07(ID:VD)



Installation and use



Attention

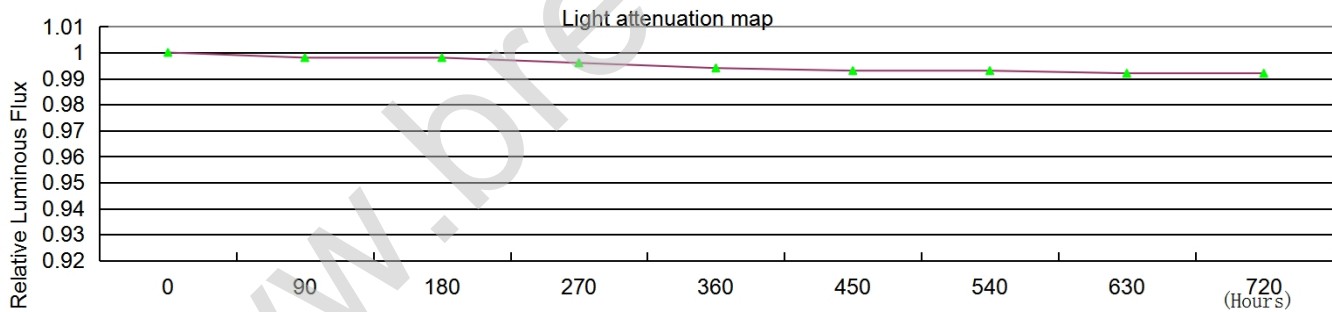
1. Please turn off the power supply before installation or changing assembly parts.
2. The input voltage and the lamp should be adapted. After connecting the power line, please make sure the wiring section is insulated.
3. Non-professionals, must not install or dismantle the lamps.
4. All the lights during installation and in use should not be put with glass cover vertically upside.

Packing Spec

Item	Box			Carton		
	Measurement (mm)	Gross weight	Pcs/box	Measurement(mm)	Gross weight	Pcs/carton
BR-FL10W-07(ID:VD)	L165*W135*H70	0.45 kg	1	L 430*W350*H315	12.3 kg	24
BR-FL20W-07(ID:VD)	L205*W170*H75	0.71 kg	1	L 430*W360*H335	12.86 kg	16
BR-FL30W-07(ID:VD)	L253*W220*H85	1.15 kg	1	L460*W275*H375	10.7 kg	8
BR-FL50W-07(ID:VD)	L305*W260*H95	1.96 kg	1	L540*W325*H315	13.26 kg	4

Remarks:

1. White light series: WW (3000-3500K) NW (4000-4500K) CW (5000-6500K)
2. Luminous flux tolerance for $\pm 10\%$
3. Products shall be subject to any changes without prior notices.



Through the 720H accelerated aging test, high and low temperature prediction in the rated under the working conditions after 35000H, will provide an average 70% optic maintenance ratio (L70).