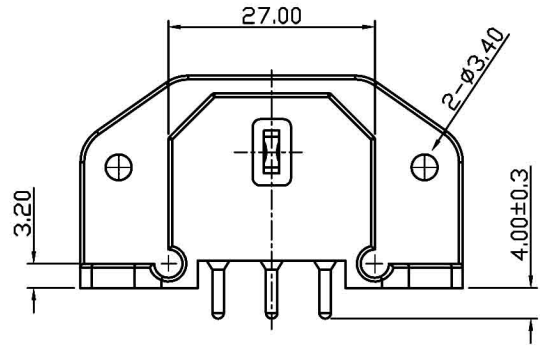
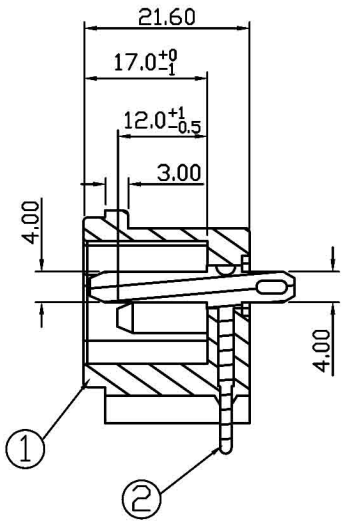
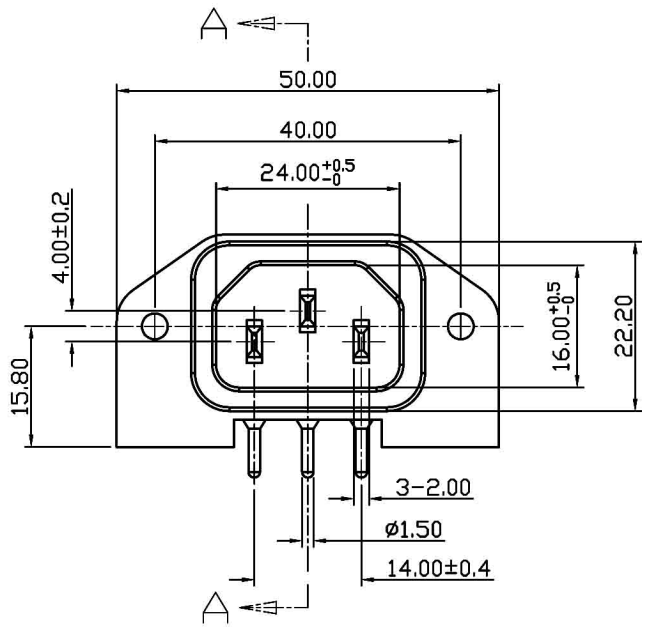
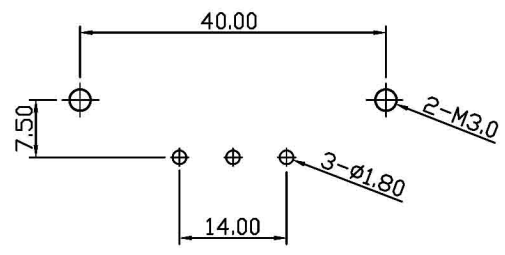
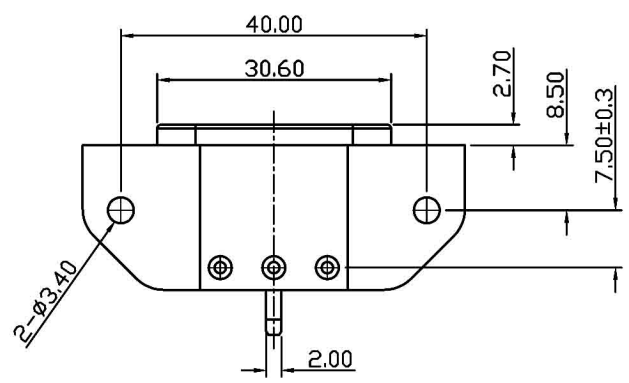


RoHS COMPLIANT

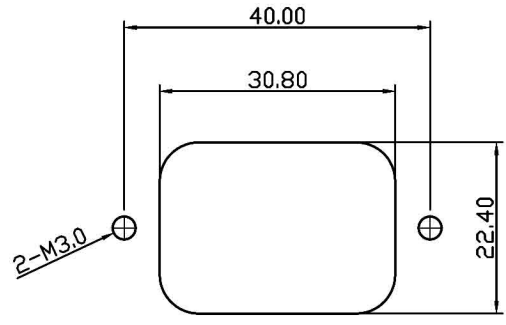
REV	ECN NO.	DESCRIPTION	DATE
A		RELEASE	AUG. 25'11



SECTION:A-A



PCB LAYOUT



PANEL LAYOUT

ITEM	PART NAME	QTY	MATERIAL
2	Pin	3PCS	Cu Plated Sn
1	Body	1PCS	PBT

RATING: 10A 250V~,15A 250V~

Ⓜ FIMKO 18027	Ⓧ DEMKO 311268-02
Ⓝ NEMKO P02102291	Ⓞ SEMKO 362341
Ⓒ NO 2003010204092387	Ⓜ VDE 40007165
Ⓡ UL E220004	Ⓢ CSA 098476.0 000

APPROVAL

TOLERANCE UNLESS OTHERWISE SPECIFIED	
LINEAR	ANGLE
X. ± 0.50	X° ±
.X ± 0.35	.X° ±
.XX ± 0.25	.XX° ±
.XXX±	.XXX° ±
APPD	
CHKD	
DRAW	Z

PROJECTION
UNITS
MM
SCALE
SIZE
A4

GTK GOLD-TEK ELECTRIC CO., LTD.

TITLE	PART NO.
AC Inlet	ACPTU301AL-LY11E
CPART NO.	CAD NO. I200
	F:\PDF\SOC\SOC-0870
	SHEET 1 OF 1

圖面編號: **GTKSD2900-A(1)**