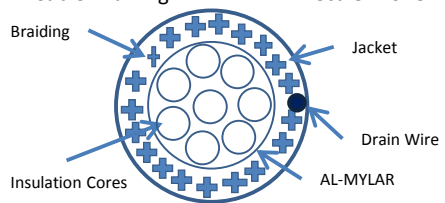


บริษัท เจ.เอส.แอล. ไวร์ เทคโนโลยี จำกัด

J.S.L. WIRE TECHNOLOGY CO.,LTD.

TECHNICAL SPECIFICATION

MODEL	PVC INSULATED AND SHEATHED CABLE	Cable Drawing : Scale: None 
RATING	80 °C 300 V	
TYPE	STYLE 2464	
SIZE	24 AWG X 8 C + A + E + B	
STANDARD	REF: UL758	
APPLICATION	The Product is compliance with RoHS requirement.	
	The product is suitable application for temperature and voltage not exceeding wiring system at dry location and apply for data transfer of electronic equipment.	

Technical Data:			
Conductor Material	STRANDS COPPER		
Conductor NO./ Diameter(mm)	7/0.203 ± 0.005 mm		
Minimum Average Thickness of Insulation(mm)	0.25 mm		
Minimum Thickness at any place of Insulation(mm)	0.23 mm		
Insulation Material	LEAD FREE SR-PVC		
Insulation Color:	Blown, Black, Red, Orange, White, Green, Blue, and Yellow		
Diameter of Insulation (mm)	1.10±0.08 mm		
ASSEMBLY STRANDED	8 CORES STRANDED WITH AL-MYLAR WRAPPING		
BRAIDING(TCU)(Gps/No./d) mm; Drain Wire(No./mm)	24/8/0.120mm(TCU); 7/0.200mm		
Minimum Average Thickness of Sheath(Jacket)(mm)	0.76 mm		
Minimum Average at Any Place of Sheath(Jacket)(mm)	0.69		
Sheath (Jacket) Material	LEAD FREE PVC		
Sheath (Jacket) Color	GRAY OR OTHER COLOR		
Overall Diameter of Cable (mm)	5.5 mm		
ELECTRICAL PROPERTIES:			
Conductor Resistance at 20C(Maximum)	89.10 Ohm/Km		
Insulation Resistance at 20C(Minimum)	5 MOhm-Km		
Dielectric Withstand Voltage (AC Voltage)	AC 2.0 KV/MINUTE (NO BROKEN)		
Spark Test Voltage	4 KV		
MECHANICAL PROPERTIES:			
Insulation	UNAGED	Tensile Strength	3000 PSI (2.10 Kg/ mm ²)(MINIMUM)
		Elongation at Break	100 % (MINIMUM)
	AGED	Tensile Strength	UNAGED MINIMUM 70% (113±2°C x 168HRS)
		Elongation at Break	UNAGED MINIMUM 65% (113±2°C x 168HRS)
Sheath (Jacket)	UNAGED	Tensile Strength	1500 PSI (2.10 Kg/ mm ²)(MINIMUM)
		Elongation at Break	100 % (MINIMUM)
	AGED	Tensile Strength	UNAGED MINIMUM 70% (113±2°C x 168HRS)
		Elongation at Break	UNAGED MINIMUM 45% (113±2°C x 168HRS)
Deformation Test	MAXIMUM 50% (121±2°C x 1HRS)		
Heat Shock Test of Cable	(120°C, 1HRS, 6 turns) NO CRACK		
Cold Bend Test	(-10±2°C, 1HRS) NO CRACK		
FLAME TEST	VW-1 O.K.		
Surface Mark on Jacket:			
STYLE 2464 AWG 24 X 8 C Shield + AL Mylar 80 °C 300V VW-1SC Dynacom			