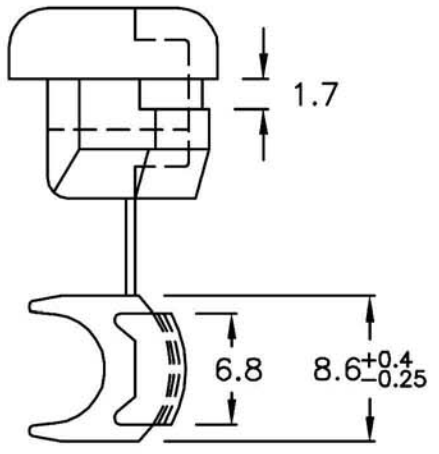
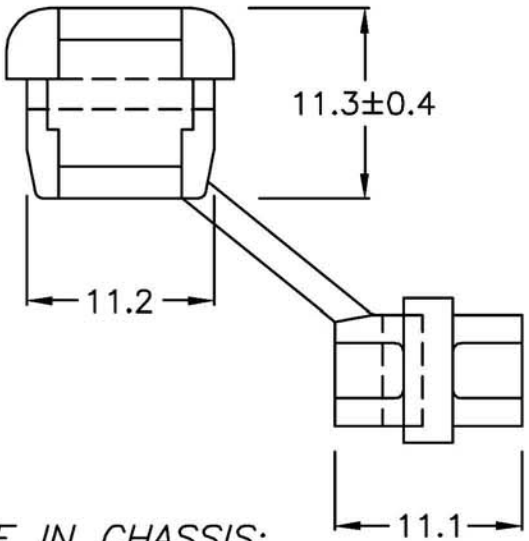
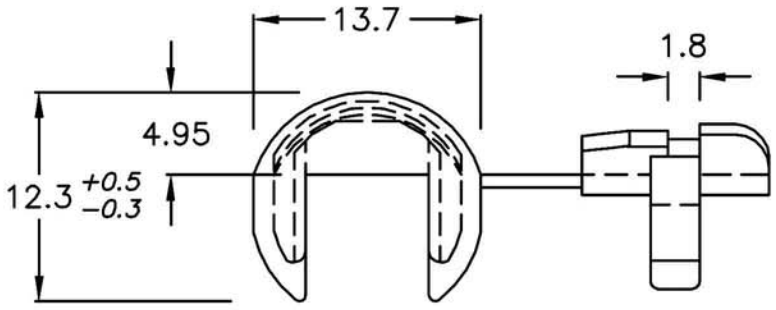


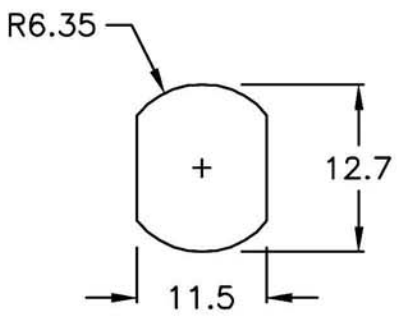
RoHS COMPLIANT

REV	ECN NO.	DESCRIPTION	DATE
A		RELEASE	MAR. 10'15

MATERIAL: N66 V2 or EQUIVALENT
 COLOR: BLACK



◎ HOLE IN CHASSIS:



◎ MAXIMUM THICKNESS: 1.6 mm

TOLERANCE UNLESS OTHERWISE SPECIFIED		PROJECTION	 GOLD-TEK ELECTRIC CO., LTD.	
LINEAR	ANGLE	UNITS	TITLE	PART NO.
0.5~ 6 ±0.2	X° ±	MM	Strain Relief Bushing	5R-4
> 6~ 30 ±0.4	.X° ±			
> 30~120 ±0.6	.XX° ±		CAD NO. I0188A	SHEET
>120~315 ±1.0	.XXX° ±		F:\PDF\HG\HG-0011	1 OF 1
APPD		SCALE	CPART NO.	
CHKD		SIZE		
DRAW	Z	A4		
	MAR. 10'2015			

圖面編號:GTKSD3158-A(1)

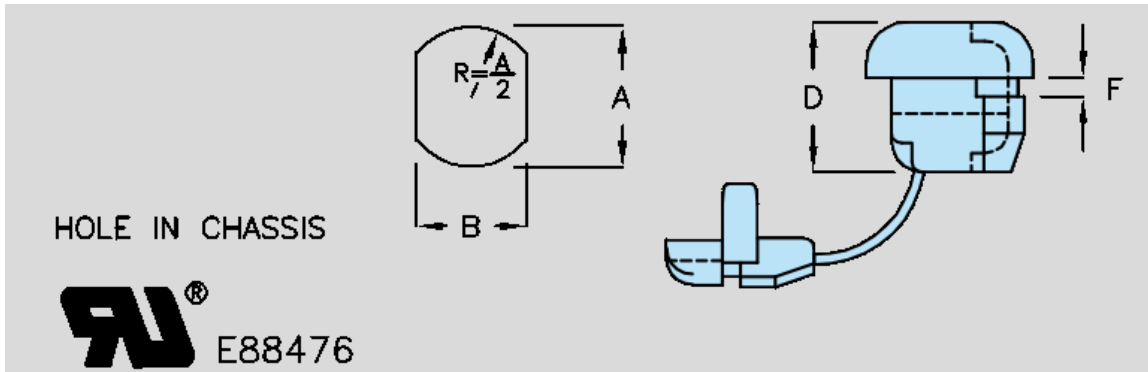
Strain Relief Bushing



- Absorb the forces of push and pull that may be exerted on cords.
- Easy and low-cost to insulate and prevent the ac cord to be damaged by the panel edge.
- Provide non-slip grip.
- Completed range of specification.
- UL E88476 Approval strain relief bushing

Specification

- MATERIAL: NYLON 66 (UL)
- FLAME CLASS: 94V-2
- COLOR: BLACK
- PG cord bushings are the easy and low-cost way to insulate and protect your AC cords.
- Provide non-slip grip and will not damage the insulation of AC cord.



SUITABLE CABLE TYPE & DIMENSIONS OF CHASSIS									
PART NO	CROSS SECTION SHAPE	WIRE ACCOMMODATED	SIZE	A	B TO PREVENT ROTATION	F MAXIMUM THICKNESS	D PART LENGTH	UL	PACKAG E
2RF-2	FLAT	SPT-1	2.8x5.3	9.5	8.7	3.2	10.3	UL	500
3RF-1	FLAT	SPT-2	3.0x5.6	11.1	9.9	2.6	10.3		500
3RF-2	FLAT	SPT-2	3.0x5.6	11.1	10.1	1.6	10.3	UL	500
4RF-4	FLAT	SPT-2	3.0x5.6	12.7	11.5	2.5	11.2	UL	500
4RF-5	FLAT	SPT-2	3.8x7.6	12.7	11.8	1.6	10.6	UL	500
4RF-6	FLAT	SPT-2	3.0x6.5	12.5	11.6	2.7	10.4	UL	500
5R-2	ROUND	SVI	7.6	12.7	11.5	1.6	11.2		500
5R-4	ROUND	SV,SVT	6.4	12.7	11.5	1.6	11.3	UL	500
5R-4A	ROUND	SV,SVT	6.4	12.7	11.5	2.5	11.0	UL	500
5RF-4	FLAT	SPT-2	3.8x8.9	14.3	13.4	1.6	15.4	UL	200
5RF-4	FLAT	SPT-3	5.0x10.0	14.3	13.4	1.6	15.4	UL	200
6R-4	ROUND	SVI	7.6	15.9	14.0	1.6	14.8	UL	200
6R-6	ROUND	SJ,SJT	8.2	15.9	14.0	1.6	14.6	UL	200
6R-6A	ROUND	SJ,SJT	8.2	15.9	14.0	3.2	14.6		200
7R-2	ROUND	S.ST	9.2-10.5	19.0	16.8	1.6	19.0	UL	100
7R-2	ROUND	S.ST	11.0	19.8	16.8	1.6	19.0	UL	100
7R-2A	ROUND	S.ST	9.2-10.5	19.0	16.8	3.2	19.0	UL	100
7R-2A	ROUND	S.ST	11.0	19.8	16.8	3.2	19.0	UL	100
8R-2	ROUND	SJT	13.5-15.2	22.2	21.5	3.2	20.0	UL	100
8R-2A	ROUND	SJT	13.5	23.0	22.0	2.0	19.9		100
9R-2	ROUND	SJT	15.2-16.3	28.0	25.2	2.4	25.6		50
9R-2	ROUND	SJT	17.5	30.2	25.2	6.7	25.6		50
9R-2A	ROUND	SJT	15.5	28.0	25.2	2.4	14.3		100
9R-2B	ROUND	SJT	18.2	28.0	25.2	2.4	23.8		50