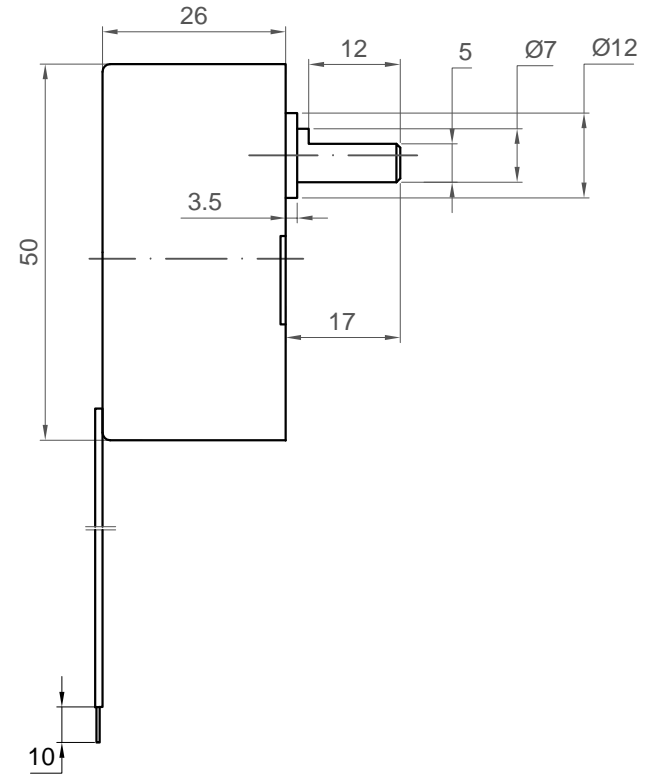
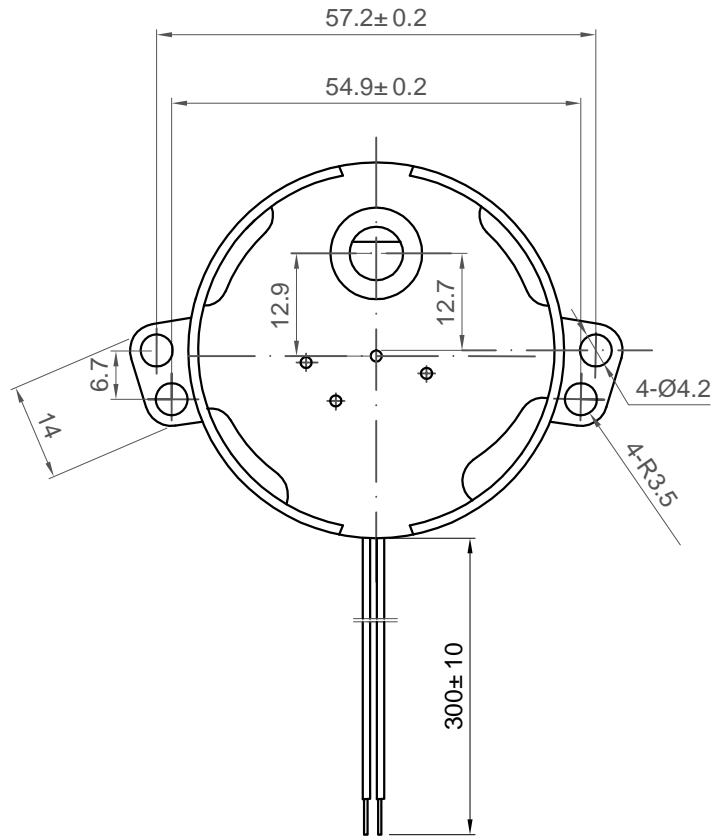


NO.	ITEM	SPECIFICATION
1	Rated Voltage	240VAC
2	Output Speed	1RPM
3	Input Power	4W
4	Input Current	≤0.025A
5	Rated Torque	15Kgf.cm
6	Frequency	50Hz
7	Insulation Class	E
8	Insulation Resistance	>100m Ohm
9	Insulation Strength	AC1500V 50Hz/min
10	Temperature Rise	60K
11	Rotation	CW
12	Run Mode	S1 Continuous

Rev.	Revision	Date
01	Update	12/16/2010



DRAWN	Sara	12/16/2010
CHECKED		
ENG APPR.		
MFG APPR.		
Q.A.		

50TYZ-240V1RPM

UNIT: mm		
Kysan Electronics		
SIZE A4	Kysan SKU 1311007	REV 01
SCALE: 1.5:1	Weight(kg):	SHEET 1 OF 1