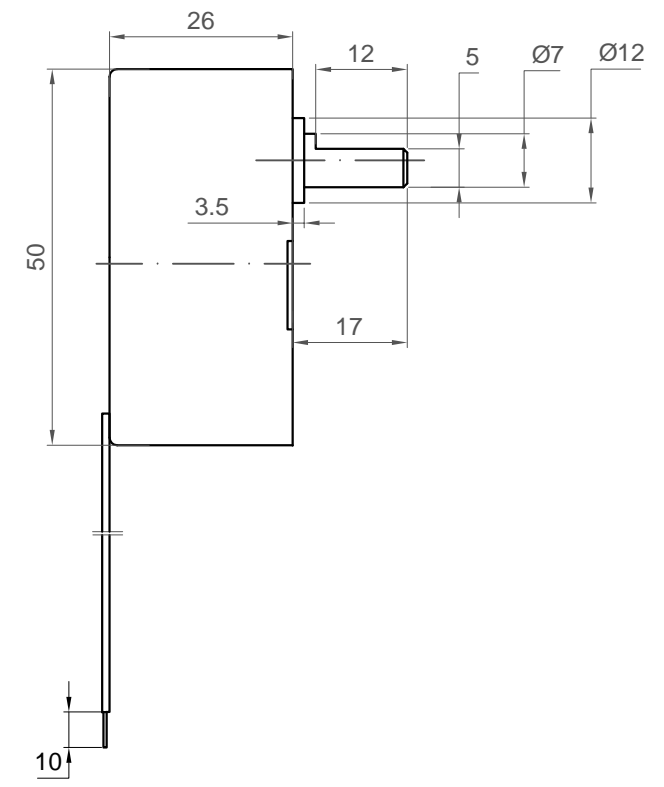
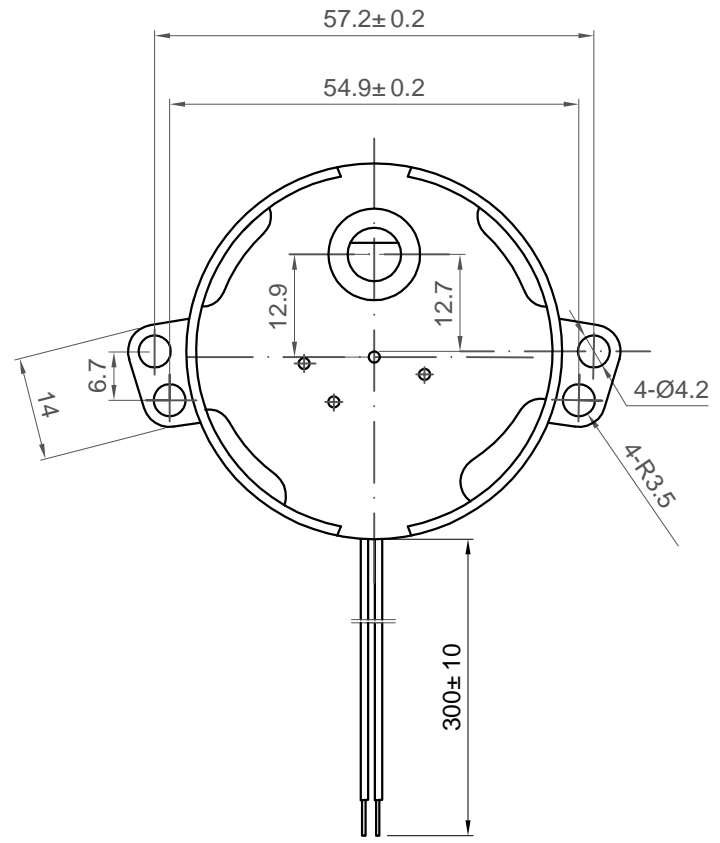


NO.	ITEM	SPECIFICATION
1	Rated Voltage	12VAC
2	Output Speed	5RPM
3	Input Power	4W
4	Input Current	≤0.5A
5	Rated Torque	6Kgf.cm
6	Frequency	50Hz
7	Insulation Class	E
8	Insulation Resistance	>100m Ohm
9	Insulation Strength	AC1500V 50Hz/min
10	Temperature Rise	60K
11	Rotation	CW
12	Run Mode	S1 Continuous

Rev.	Revision	Date
01	Update	12/16/2010



DRAWN	Sara	12/16/2010	UNIT: mm		
CHECKED			Kysan Electronics		
ENG APPR.			SIZE	Kysan SKU	REV
MFG APPR.			A4		01
Q.A.			SCALE: 1.5:1	Weight(kg):	SHEET 1 OF 1
50TYZ-12V5RPM					