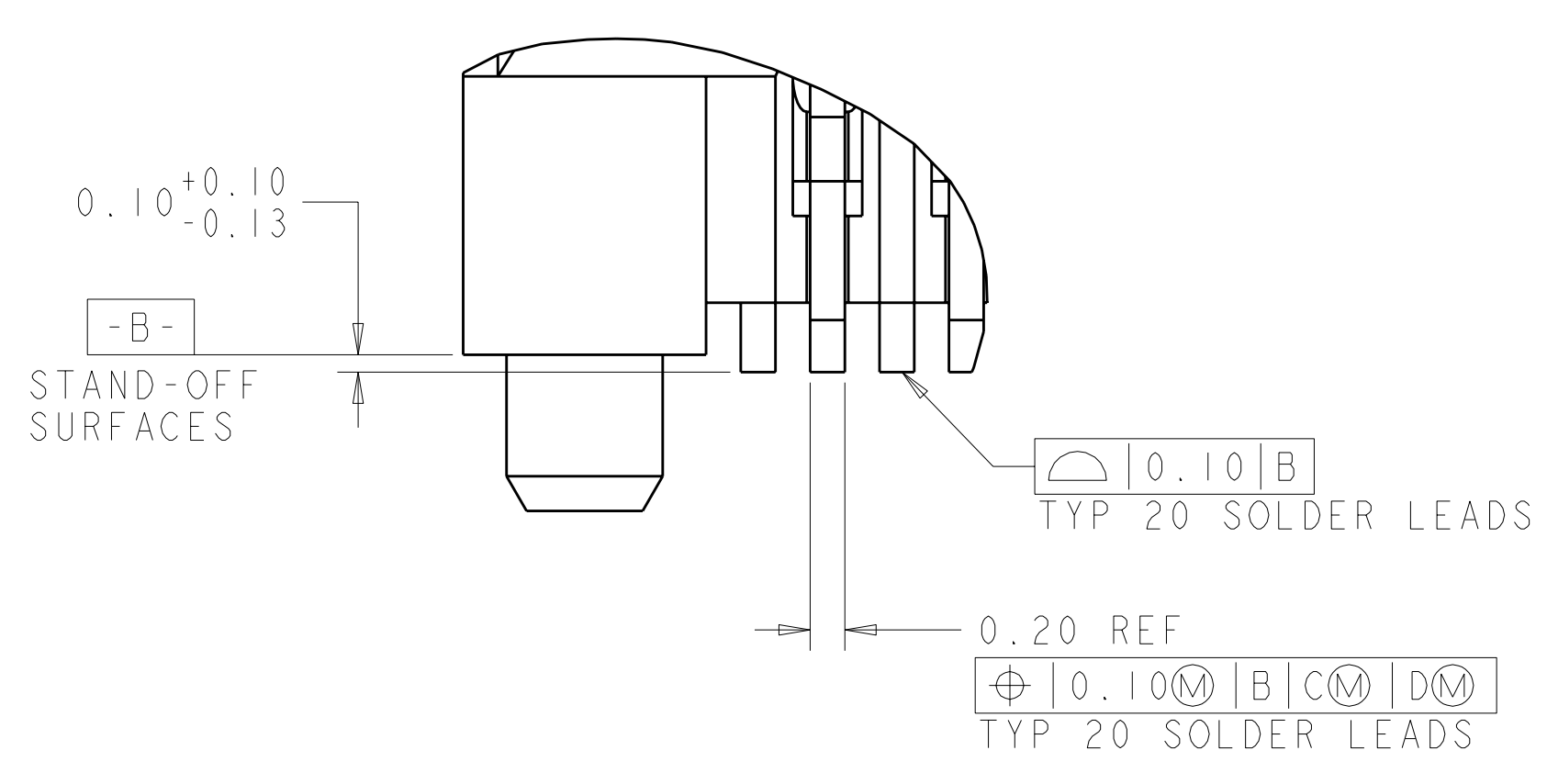
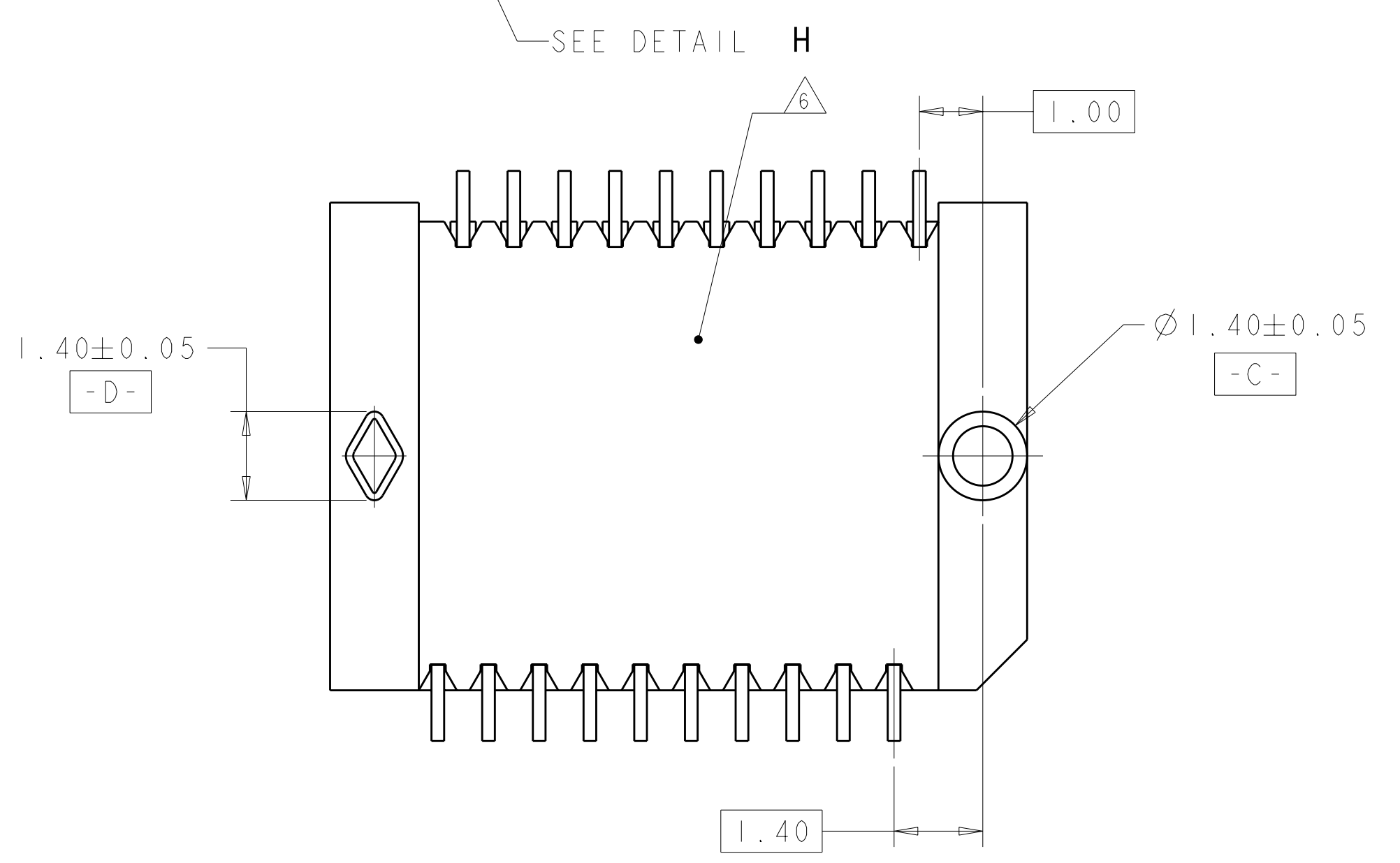
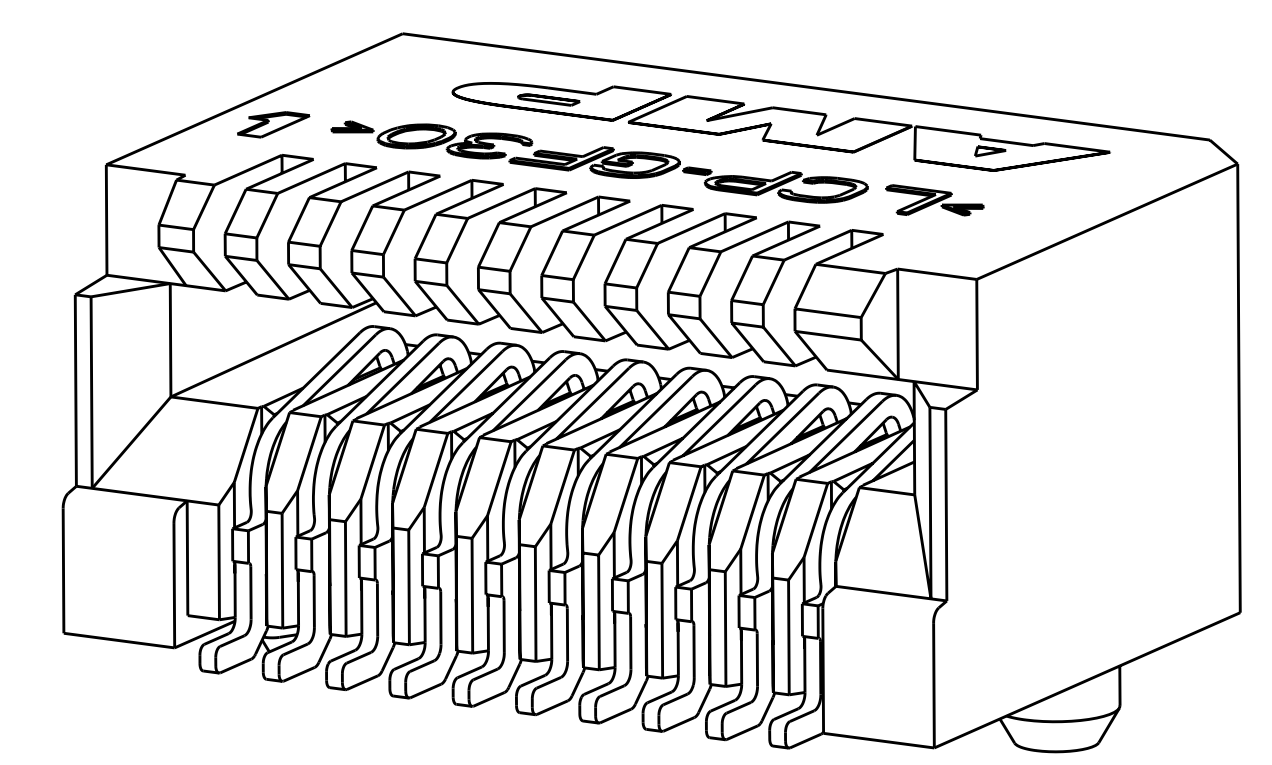
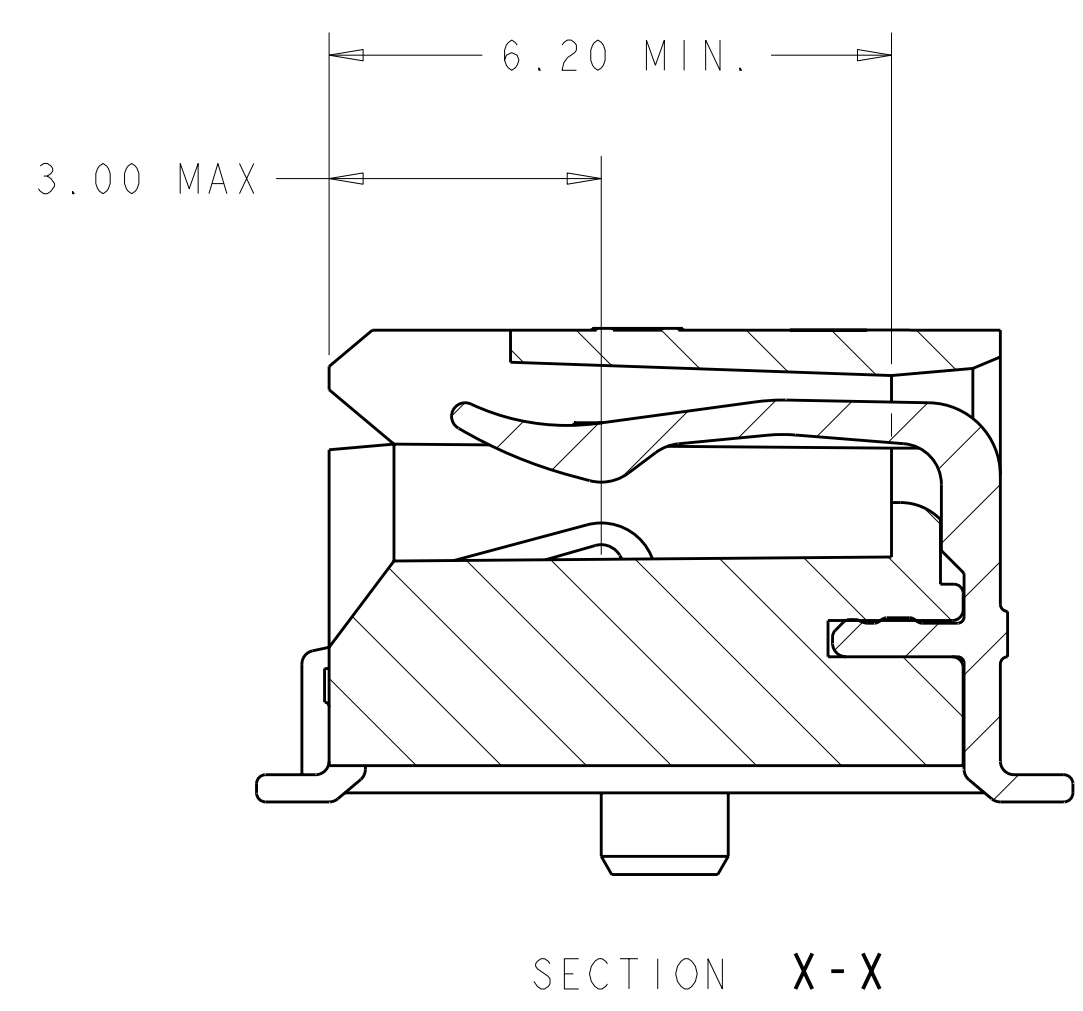
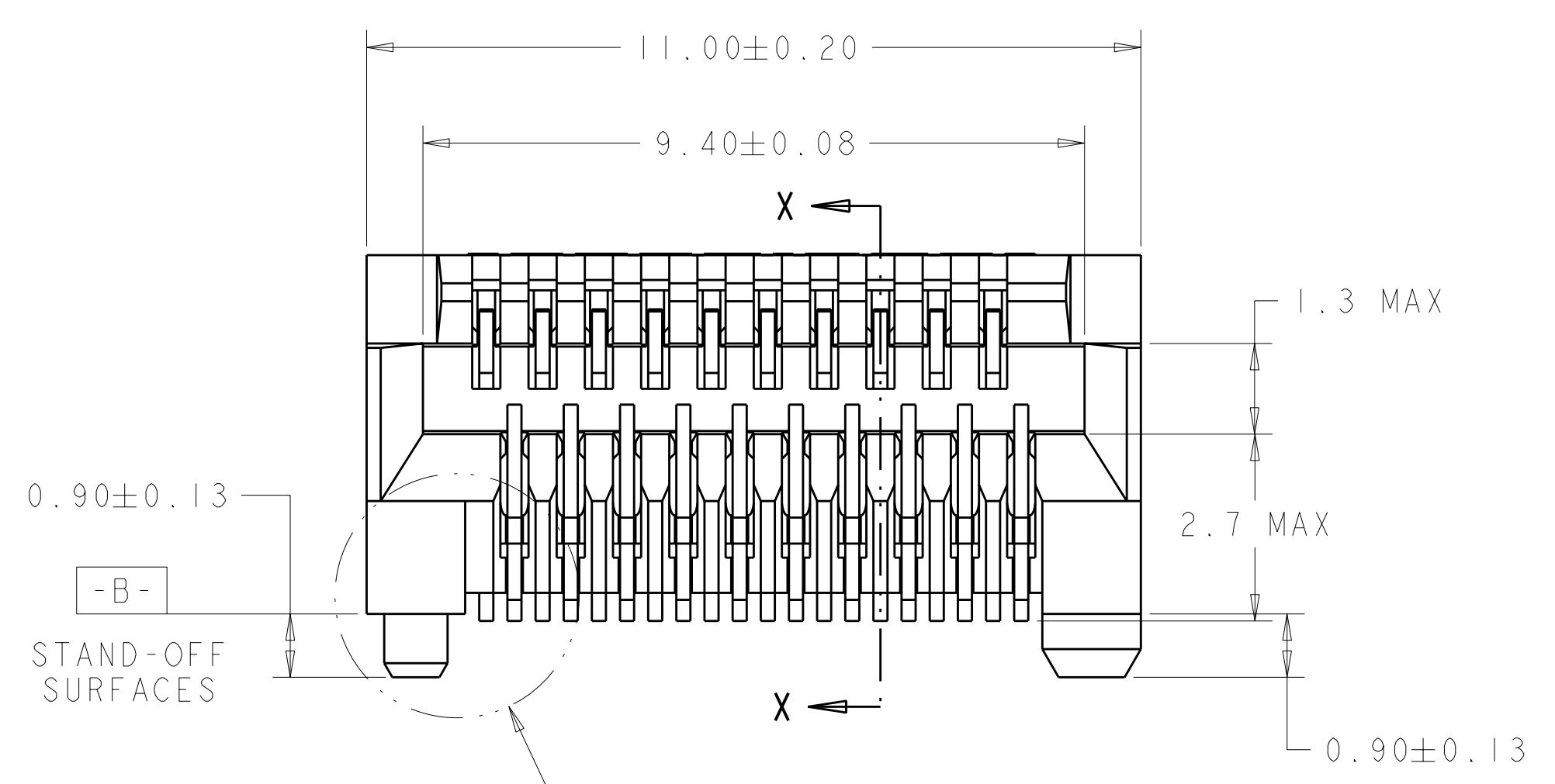
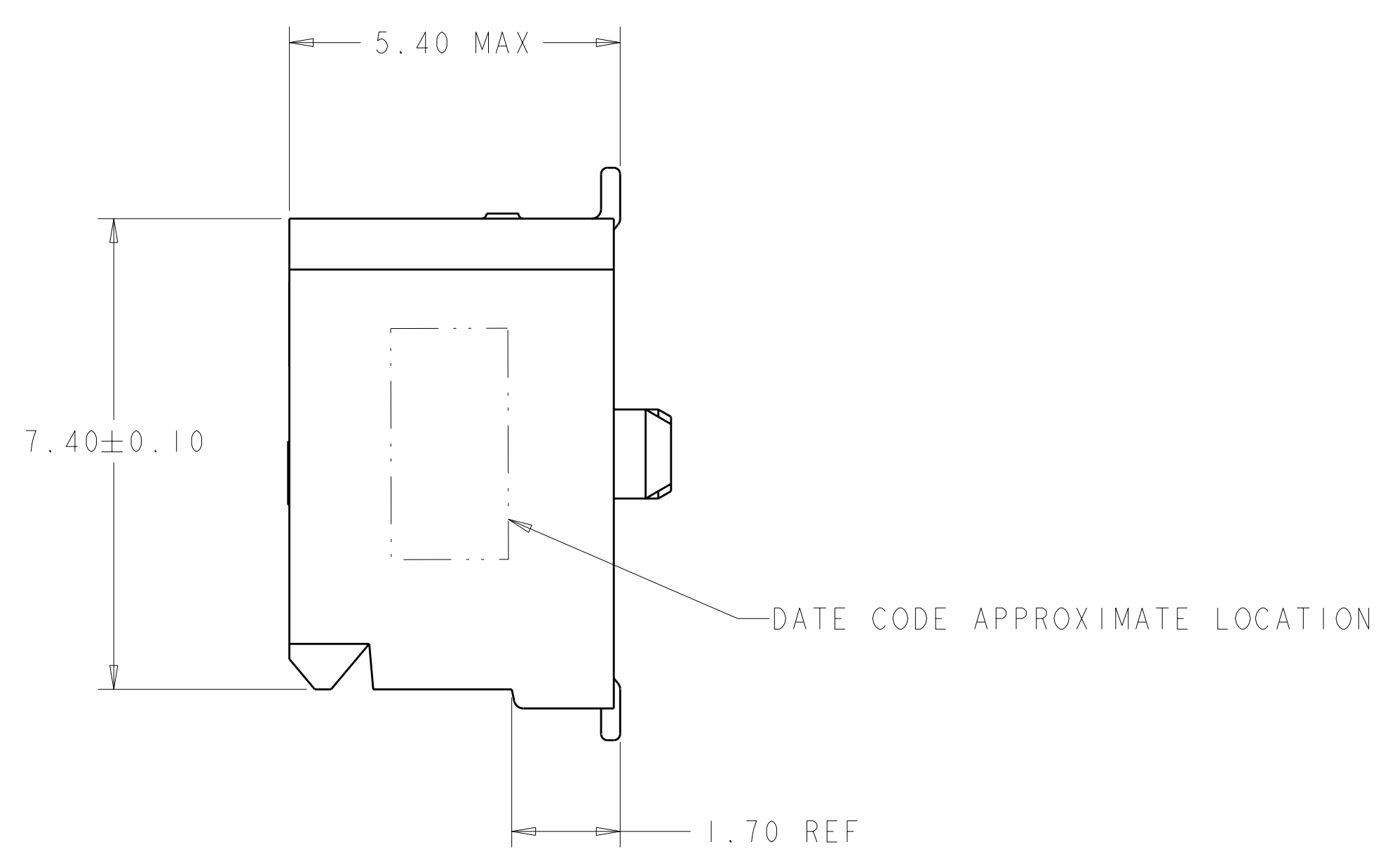
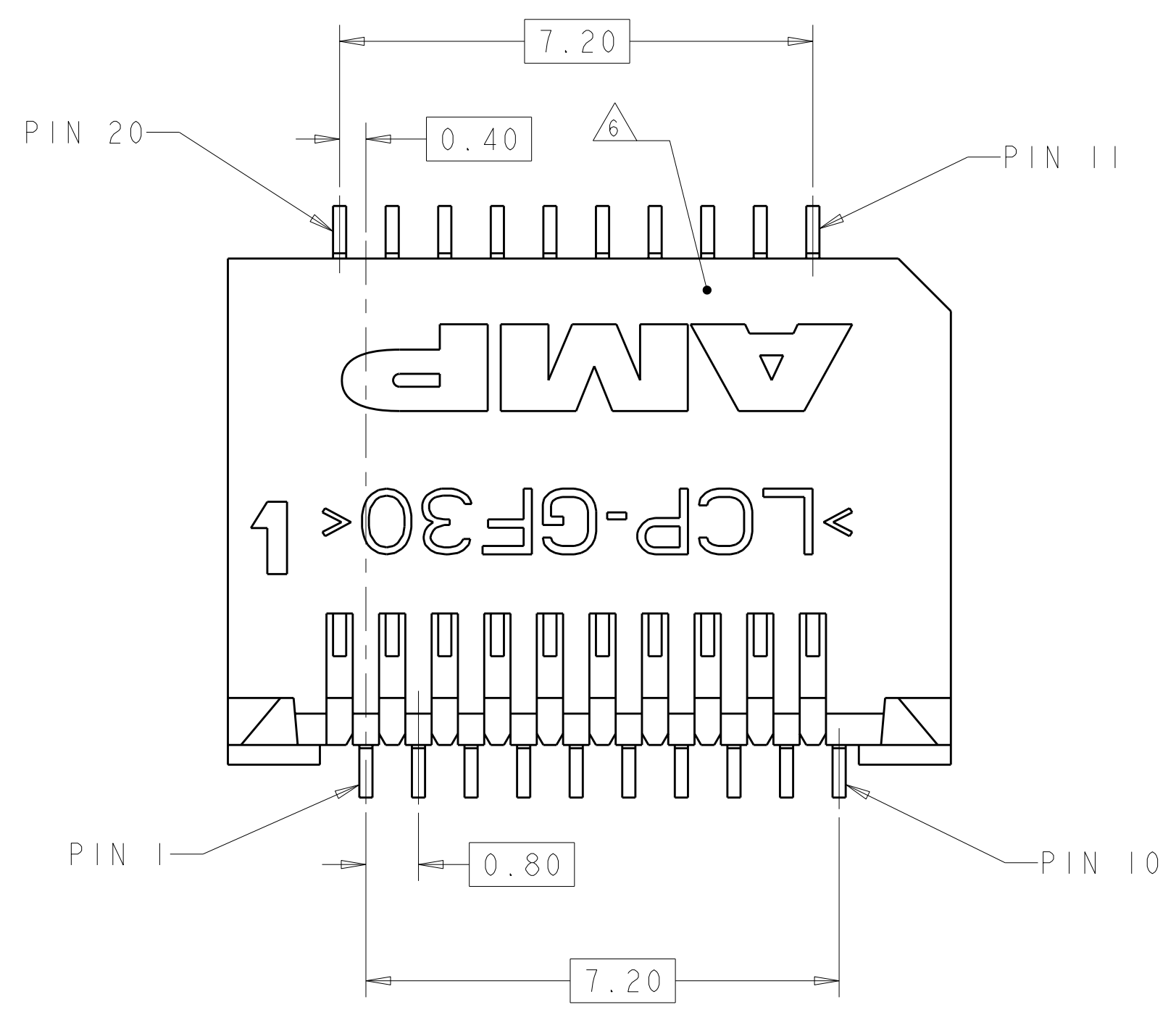


LOC	DIST	REV	DATE	BY	APPD
ES	00				
D		REVISD PER ECR-07-019122	20JUL07	ML	SY
F		REVISD PER ECR-07-025522	25OCT07	LL	SY
G		REVISD PER ECR-09-001268	20MAR09	AL	SY
H		REVISD PER ECR-09-015300	20JUL2009	AL	SY

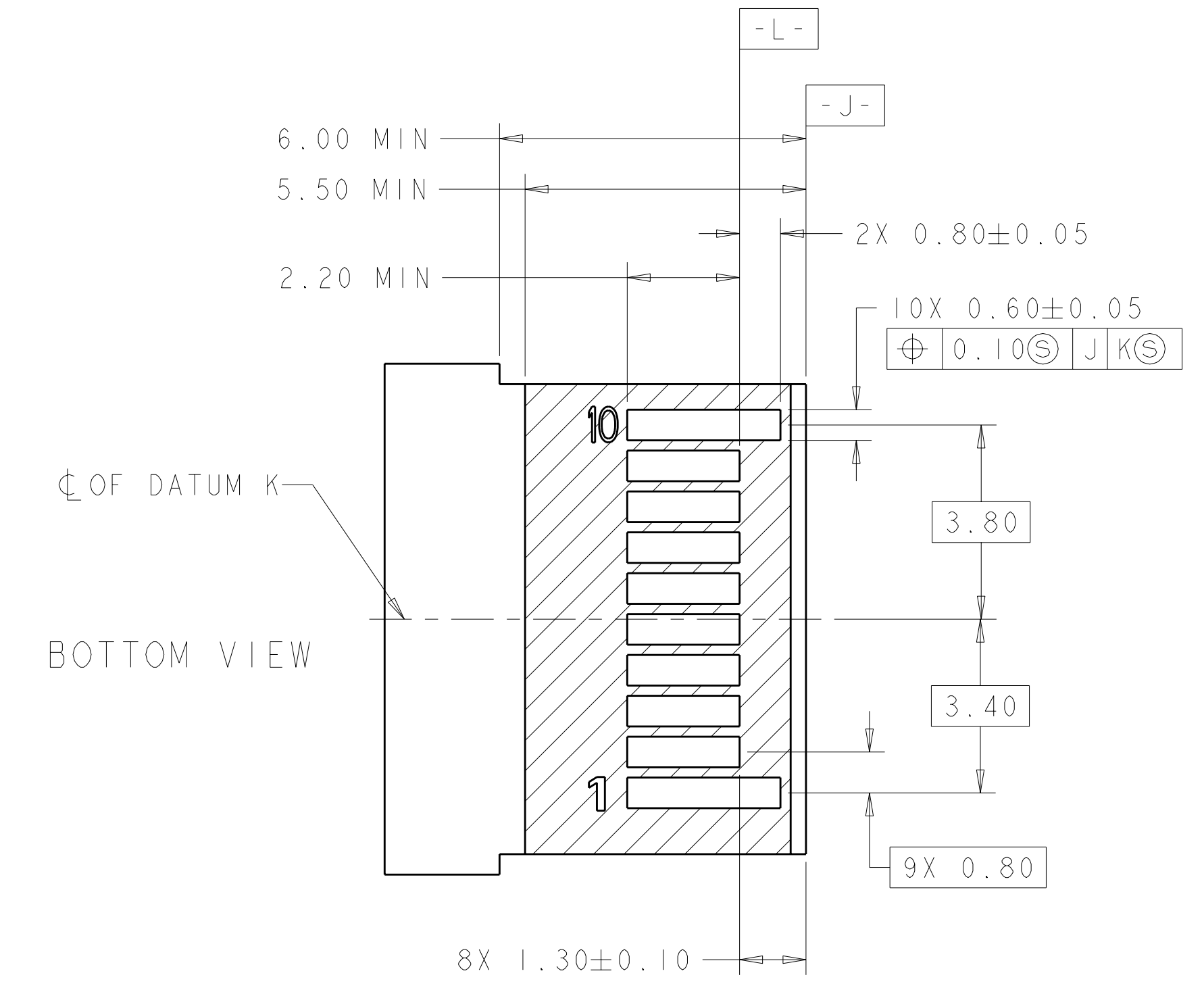
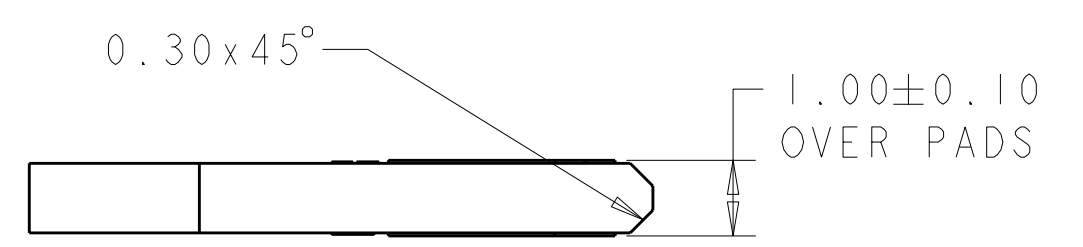
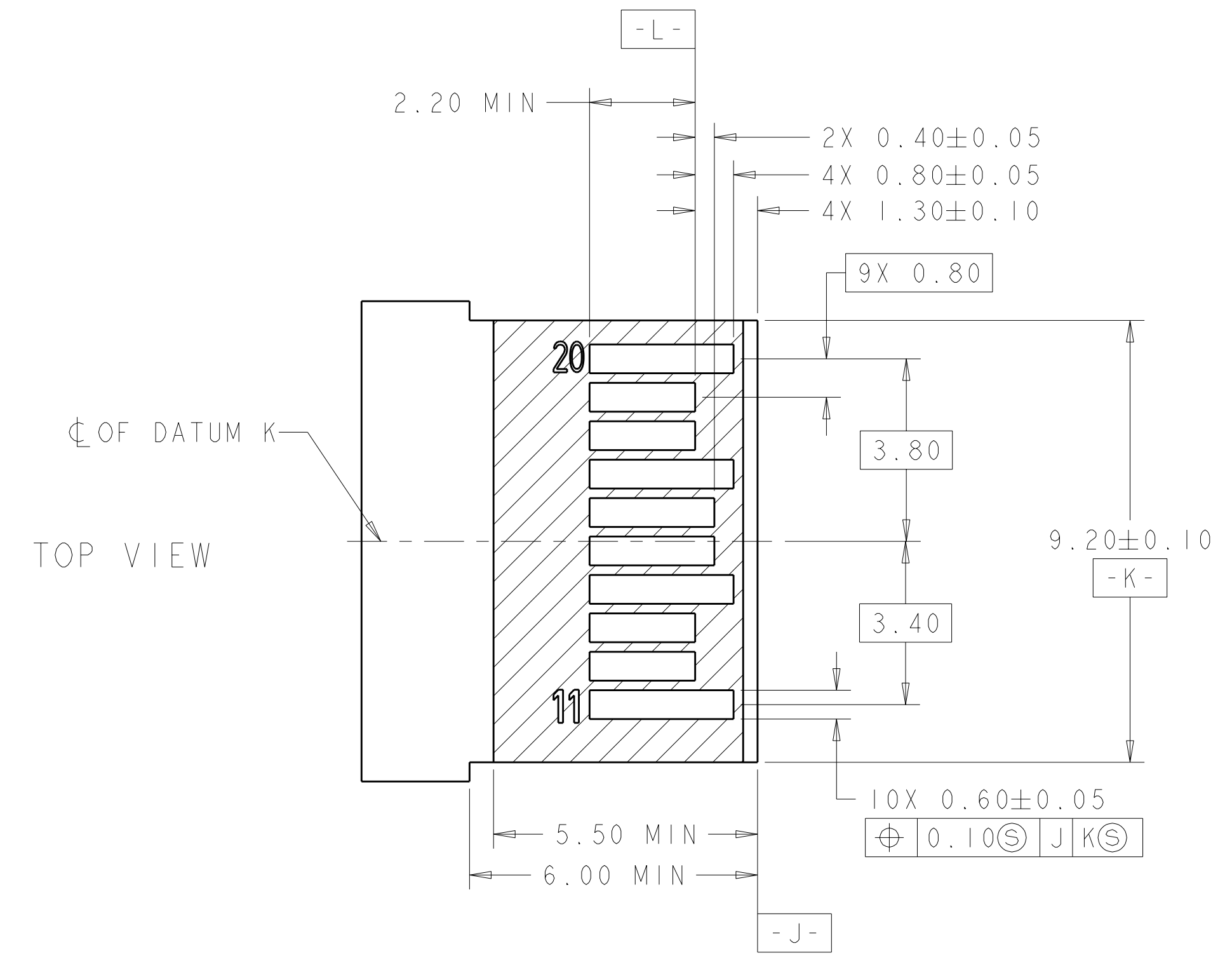


- 1 MATERIAL:
HOUSING: HIGH TEMPERATURE LCP, UL 94V-0 RATED, WHITE
CONTACTS: PHOSPHOR BRONZE.
- 2 FINISH:
CONTACTS: 0.00076 MIN GOLD ON CONTACT AREA, 0.00013 MIN GOLD ON SOLDER AREA. ALL OVER 0.0038 MIN NICKEL UNDERPLATE ON ENTIRE CONTACT. LUBRICANT ON GOLD PLATE CONTACT AREAS.
- 3. PACKAGED 480 PIECES PER REEL.
- 4 DATUMS AND BASIC DIMENSIONS TO BE ESTABLISHED BY CUSTOMER; SEE DRAWING 1367034 FOR LAYOUT WHEN USED WITH 1367034-1 BOTTOM CAGE (STANDARD SFP APPLICATION).
- 5 FINISH:
CONTACTS: 0.00038 MIN GOLD ON CONTACT AREA, 0.00013 MIN GOLD ON SOLDER AREA. ALL OVER 0.0038 MIN NICKEL UNDERPLATE ON ENTIRE CONTACT. LUBRICANT ON GOLD PLATE CONTACT AREAS.
- 6 PULL GROOVES PERMITTED ON THESE SURFACES AT MOLDING ENGINEERING DISCRETION

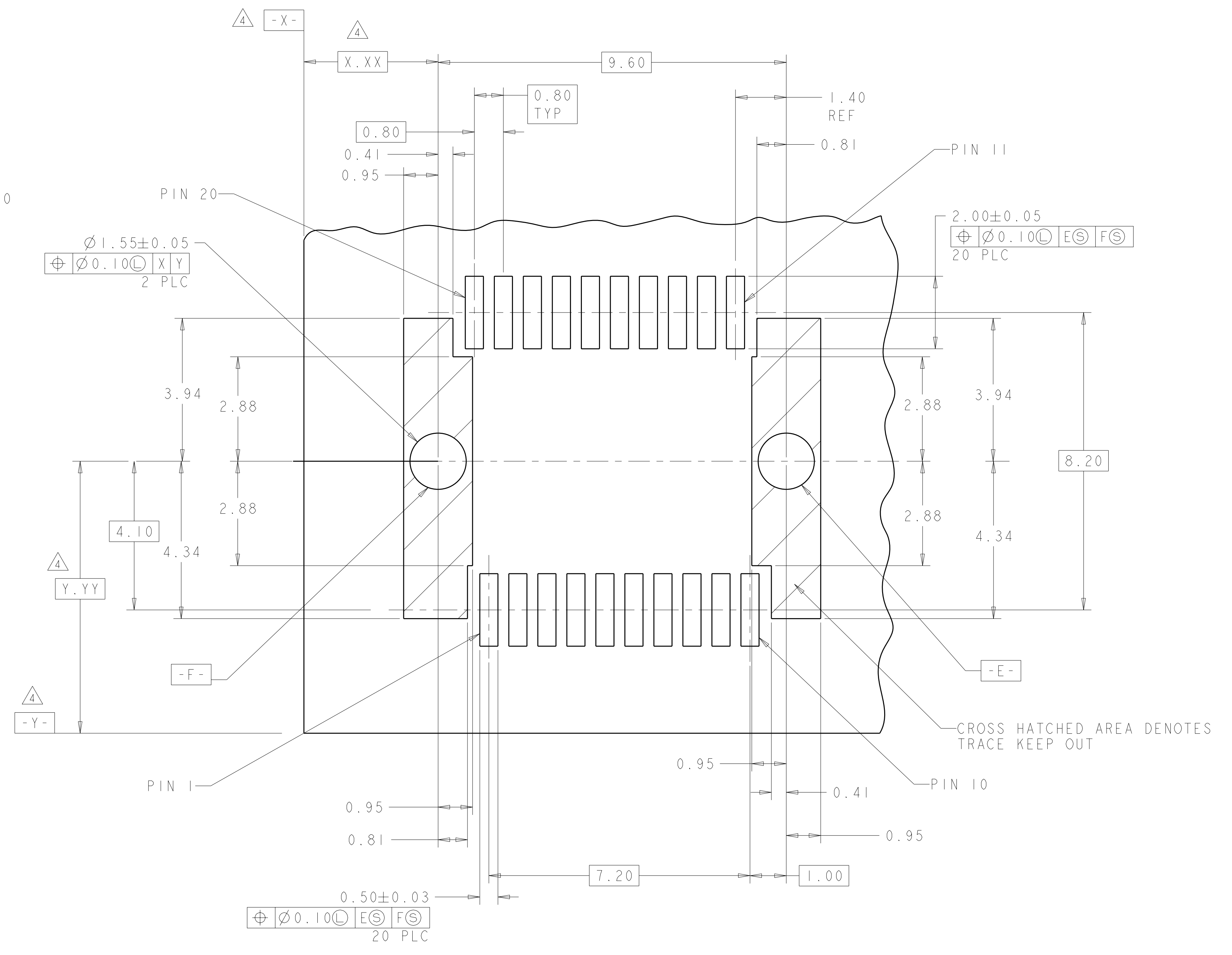
YES	5	1888247-4
YES	2	1888247-3
NO	5	1888247-2
NO	2	1888247-1
DATE CODE	FINISH	PART NUMBER

DIMENSIONS:		TOLERANCES UNLESS OTHERWISE SPECIFIED:		DWN		Tyco Electronics	
mm	9 PLC	±		B	MCMaster	14FEB06	Tyco Electronics Corporation
	1 PLC	±		S	S. SHUEY	14FEB06	Shanghai, P.R.China, 200233
	2 PLC	±	0.10	APVD	S. SHUEY	14FEB06	NAME
	3 PLC	±					PT CONNECTOR ASSEMBLY, 20 POS.
	4 PLC	±					RIGHT ANGLE, 0.8mm PITCH, SFP SFP+
	ANGLES	±					SIZE
							CAGE CODE DRAWING NO
							RESTRICTED TO
							A 100779 C=1888247
							SCALE 8:1 SHEET 1 OF 3 REV J
							CUSTOMER DRAWING

LOC	DIST	REV	DESCRIPTION	DATE	DWN	APVD
ES	00		SEE SHEET 1			



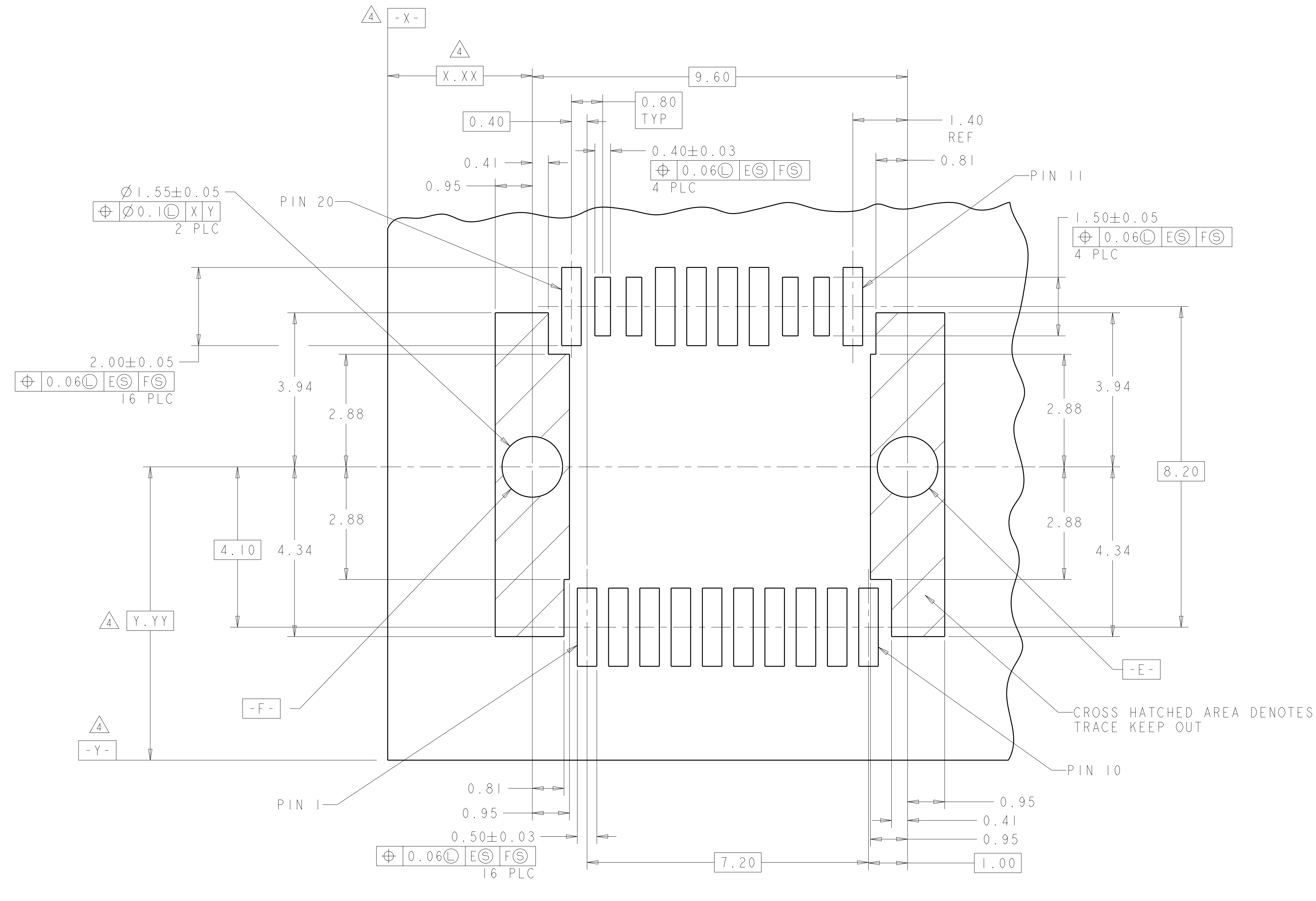
RECOMMENDED LAYOUT DETAIL
 MATING TRANSCEIVER PCB
 SCALE 10:1



RECOMMENDED PCB LAYOUT DETAIL
 CONNECTOR MOUNTING SIDE
 SCALE 14:1

<small>THIS DRAWING IS UNPUBLISHED. RELEASED FOR PUBLICATION. ALL RIGHTS RESERVED.</small>		DWN: B. MCMASTER 14FEB06 CHK: S. SHUEY 14FEB06 APVD: S. SHUEY 14FEB06	Tyco Electronics Corporation Shanghai, P.R.China.200233
DIMENSIONS: mm TOLERANCES UNLESS OTHERWISE SPECIFIED: 9 PLC ± 1 PLC ±0.10 5 PLC ± 4 PLC ± ANGLES ±		NAME: PT CONNECTOR ASSEMBLY, 20 POS, RIGHT ANGLE, 0.8mm PITCH, SFP SFP+ PRODUCT SPEC: 108-1949 APPLICATION SPEC: 114-13017	SIZE: A100779 CAGE CODE: C=1888247 DRAWING NO: 114-13017
MATERIAL: FINISH: -		WEIGHT: - CUSTOMER DRAWING	RESTRICTED TO: - SCALE: 8:1 SHEET: 2 OF 3 REV: J

LOC	DIST	REV	DATE	BY	APPD
ES	00				
REVISIONS			DESCRIPTION	DATE	BY
			SEE SHEET 1		



OPTIONAL LAYOUT FOR IMPROVED
 SIGNAL INTEGRITY, MOUNTING SIDE
 SCALE 16:1

DIMENSIONS: mm 		TOLERANCES UNLESS OTHERWISE SPECIFIED: 9 PLC ± 1 PLC ±0.10 3 PLC ± 4 PLC ± ANGLES ±		DWN B. MCMASTER 14FEB06 CHK S. SHUEY 14FEB06 APVD S. SHUEY 14FEB06		Tyco Electronics Corporation Shanghai, P.R.China, 200233	
MATERIAL: - FINISH: -		WEIGHT: - CUSTOMER DRAWING		NAME: PT CONNECTOR ASSEMBLY, 20 POS, RIGHT ANGLE, 0.8mm PITCH, SFP SFP+ PRODUCT SPEC: 108-1949 APPLICATION SPEC: 114-13017		SIZE: A100779 CAGE CODE: C=1888247 SCALE: 8:1 SHEET 3 OF 3 REV J	