

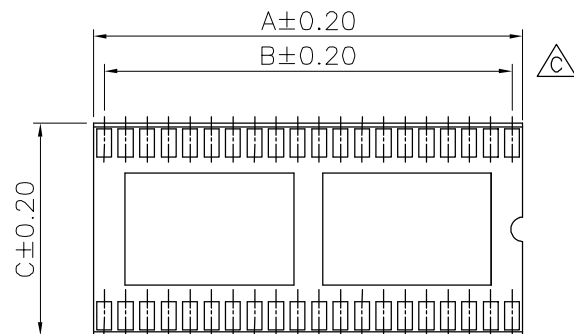
1

2

3

4

5



## Specifications:

Current Rating: 1.0A AC,DC

Contact Resistance: 20m ohm.Max  $\triangle C$ 

Insulation Resistance: 5000M ohm.Min

Withstanding Voltage: 1000V AC/Minute

Operating Temperature Range: -55°C ~ +85°C  $\triangle C$ 

## Material:

Insulator: PBT(UL94V-0)

Insulator Color: Black

Contact: Phosphor Bronze  $\triangle C$ 

Plated: Tin Plated

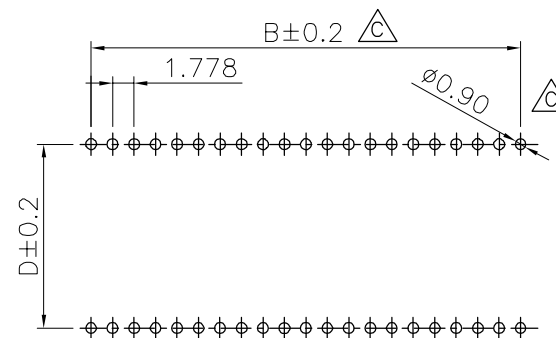
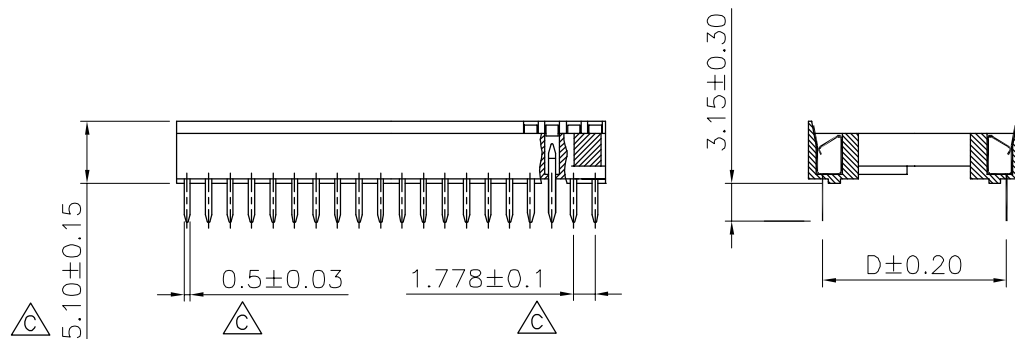
## How To Order

1778-XX-XX

Row To Row Space

(03,04,06,075)

No. of Positions



P.C.B Layout

## Dimension:

Pin NO	A	B	C	D	Space	Pin NO	A	B	C	D	Space	
16	14.22	12.45	10.10	7.62	03	48	42.67	40.89	17.70	15.24	06	
20	17.78	16.00	10.10	7.62		52	46.23	44.45	17.70	15.24		
22	19.56	17.78	10.10	7.62		54	48.01	46.23	17.70	15.24		
24	21.34	19.56	10.10	7.62		56	49.78	48.01	17.70	15.24		
24	21.34	19.56	12.65	10.16	04	58	51.56	49.78	17.70	15.24		
28	24.89	23.11	12.65	10.16		60	53.34	51.56	17.70	15.24		
30	26.67	24.89	12.65	10.16		62	55.12	53.34	17.70	15.24		
32	28.45	26.67	12.65	10.16		64	56.90	55.12	17.70	15.24		
40	35.56	33.78	17.70	15.24	06	64	56.90	55.12	21.55	19.04		075
42	37.34	35.56	17.70	15.24								

RoHS Compliant

F				
E				
D				
C	04-FEB-2021	更新圖面 $\triangle C$	MEI	
B	25-MAY-2009	ECN-TWO90515	ALLEN	
A	14-MAR-2006	(P0299)	CEL.KING	
REV	DATE	FILE	BY	

DRAWN:  
CEL.KINGCHECKED:  
JEREMY.LIUAPPROVAL:  
MIKE.WU

## GENERAL TOLERANCE:

.X=±0.20

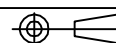
.XX=±0.15

UNIT: MM

SCALE:

SHEET: 1/2

PROJECTION:

**Neltron Industrial Co., Ltd.**

DESCRIPTION:

High Density 1.778mm IC Socket Stamp Pin

PART NO:

1778-XX-XX  $\triangle C$ 

SIZE

**A4**