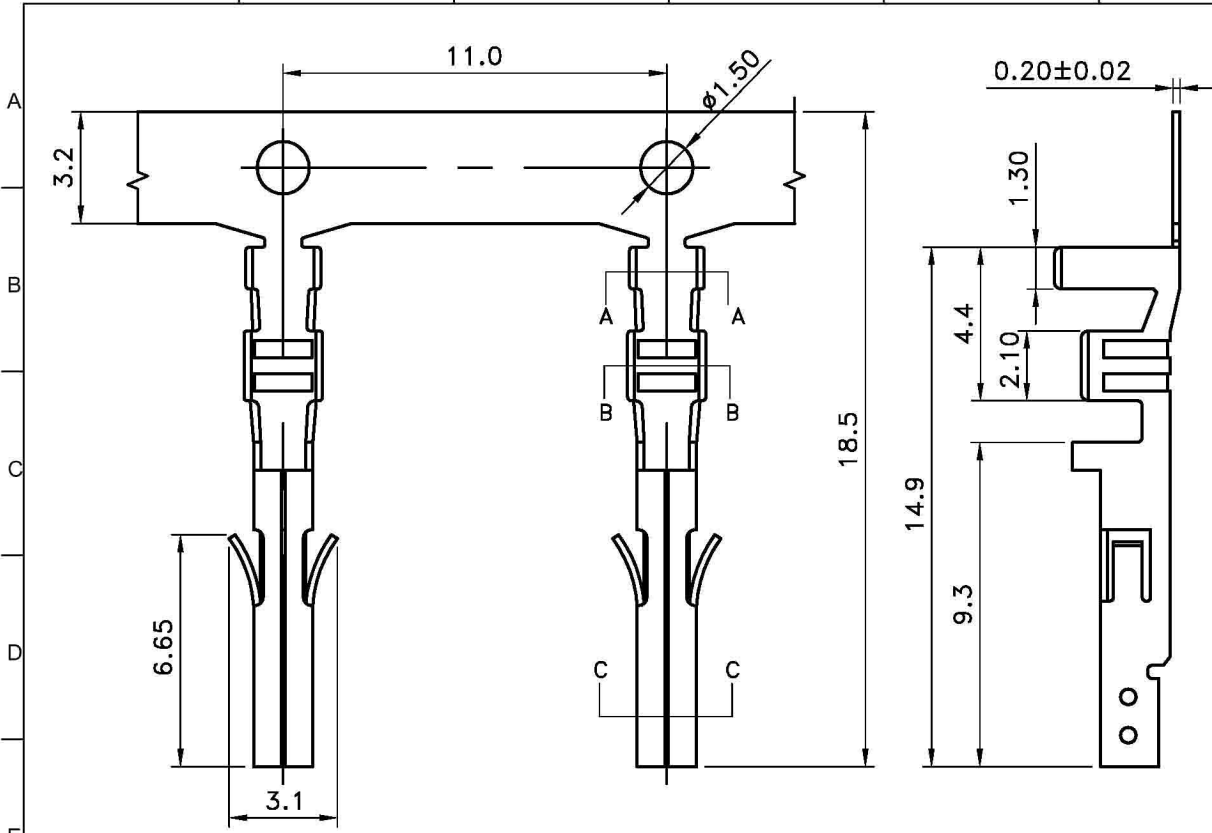
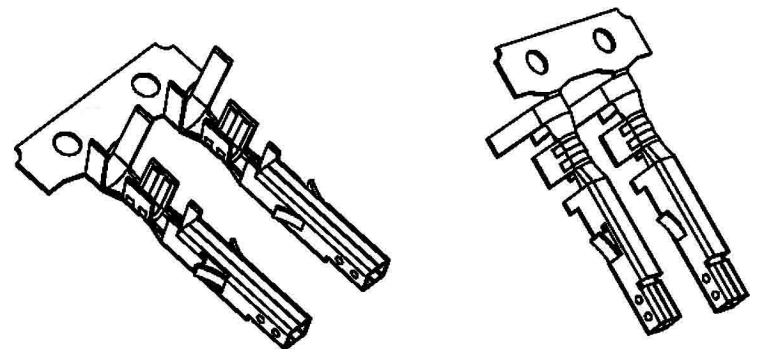
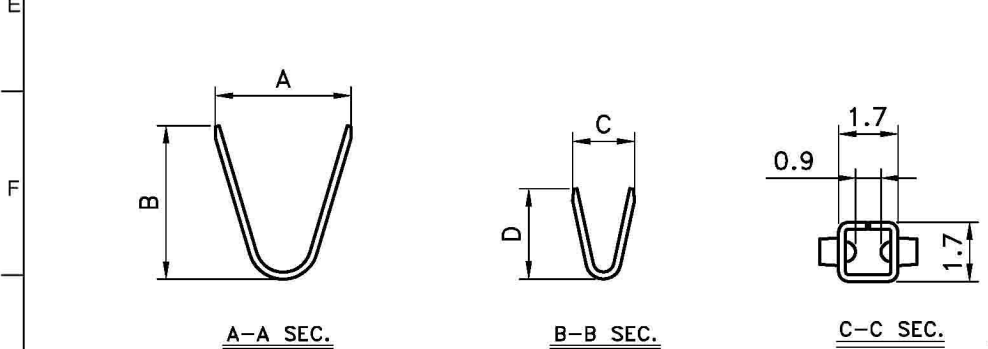


RoHS COMPLIANT

REV	ECN NO.	DESCRIPTION	DATE
A		RELEASE	OCT. 28'03
B		REDRAW	DEC. 15'15
C		REDRAW & ADD. ITEM	NOV. 22'16



- SPECIFICATIONS**
- Voltage Rating : 250V AC/DC
  - Current Rating : 7A AC/DC
  - Withstanding Voltage : 1500V AC/minute
  - Insulation Resistance : 1000M Ω min
  - Temperature Range : - 40°C to + 105°C
  - Contact Resistance : 20m Ω max
- TERMINAL**
- Part No : 1149 XXX
- Code No. ①
- ① Applicable Wires & Finish :
- T : AWG# 18 - 22 , Tin Plated
  - TPL : AWG# 22 - 24 , Tin Plated
  - G : AWG# 18 - 24 , Gold Plated
- Material : Brass
  - Finish : Refer the Above Options
  - Thickness : 0.2mm
  - Q' ty : 5,000 pcs./Reel



Part No.	Dimensions(mm)			
	A	B	C	D
1149T	3.9	4.4	1.90	2.80
1149TPL	3.3	3.5	1.80	2.55
1149G	4.0	3.8	1.80	2.6

TOLERANCE UNLESS OTHERWISE SPECIFIED		PROJECTION	GOLD-TEK ELECTRIC CO., LTD.											
<table border="1"> <thead> <tr> <th>LINEAR</th> <th>ANGLE</th> </tr> </thead> <tbody> <tr> <td>X. ± 0.50</td> <td>X° ±</td> </tr> <tr> <td>.X ± 0.30</td> <td>.X° ±</td> </tr> <tr> <td>.XX ± 0.20</td> <td>.XX° ±</td> </tr> <tr> <td>.XXX±</td> <td>.XXX° ±</td> </tr> </tbody> </table>		LINEAR	ANGLE	X. ± 0.50	X° ±	.X ± 0.30	.X° ±	.XX ± 0.20	.XX° ±	.XXX±	.XXX° ±			
LINEAR	ANGLE													
X. ± 0.50	X° ±													
.X ± 0.30	.X° ±													
.XX ± 0.20	.XX° ±													
.XXX±	.XXX° ±													
UNITS		TITLE		PART NO.										
MM		4.20mm Mini-Fit Power Terminal		1149***										
SCALE		CPART NO.		CAD NO. I056										
SIZE		A4		SHEET 1 OF 1										
APPD		F:\PDF\HW-A\HW-A0026												
CHKD		<div style="border: 2px solid blue; padding: 5px; display: inline-block;">圖面編號:GTKSD1192-C(1)</div>												
DRAW	Z	NOV. 22'2016												