

RoHS COMPLIANT

REV	ECN NO.	DESCRIPTION	DATE
A		RELEASE	DEC. 22'03
B		ADD. RoHS	DEC. 08'10

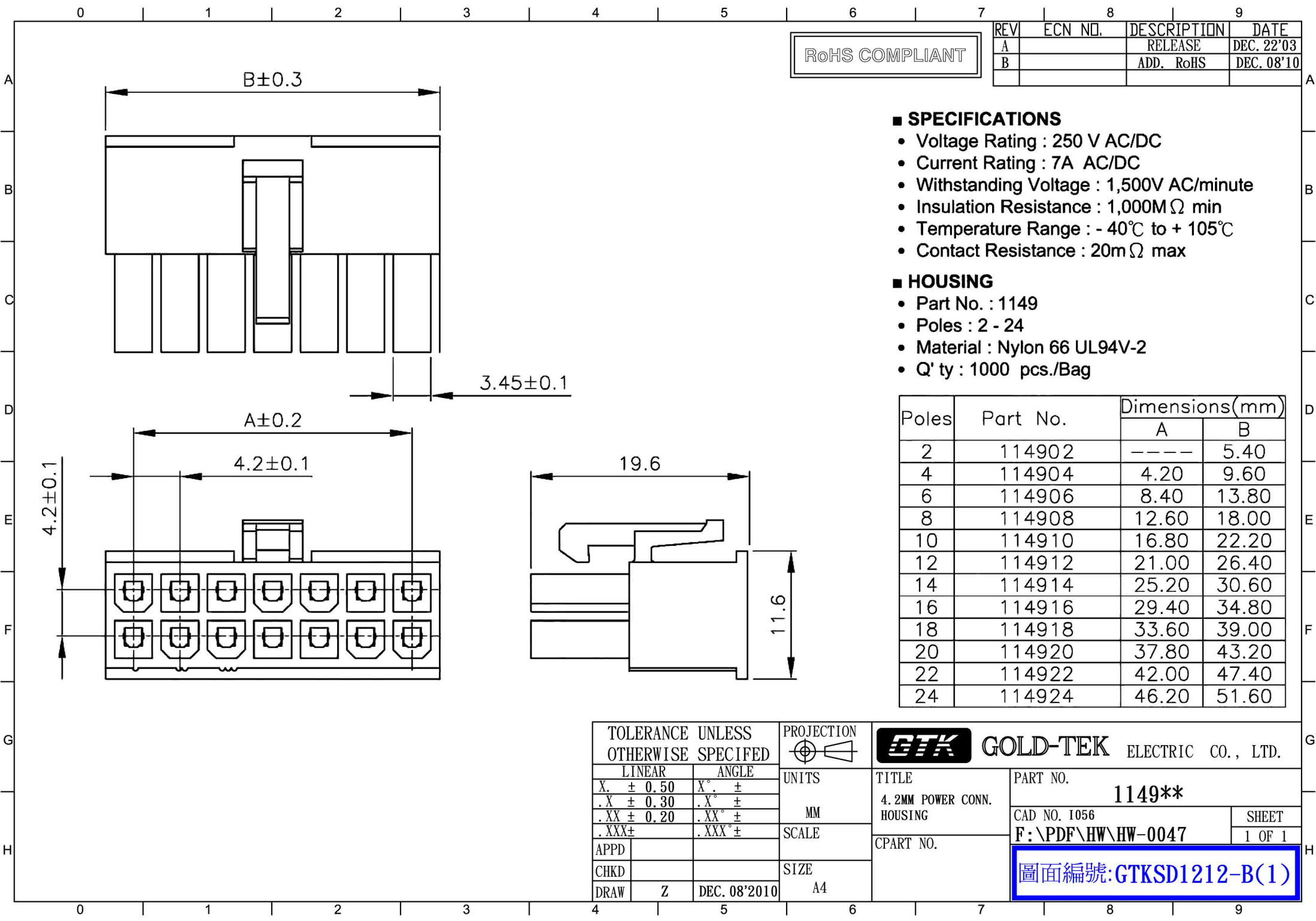
SPECIFICATIONS

- Voltage Rating : 250 V AC/DC
- Current Rating : 7A AC/DC
- Withstanding Voltage : 1,500V AC/minute
- Insulation Resistance : 1,000MΩ min
- Temperature Range : - 40°C to + 105°C
- Contact Resistance : 20mΩ max

HOUSING

- Part No. : 1149
- Poles : 2 - 24
- Material : Nylon 66 UL94V-2
- Q' ty : 1000 pcs./Bag

Poles	Part No.	Dimensions(mm)	
		A	B
2	114902	----	5.40
4	114904	4.20	9.60
6	114906	8.40	13.80
8	114908	12.60	18.00
10	114910	16.80	22.20
12	114912	21.00	26.40
14	114914	25.20	30.60
16	114916	29.40	34.80
18	114918	33.60	39.00
20	114920	37.80	43.20
22	114922	42.00	47.40
24	114924	46.20	51.60



TOLERANCE UNLESS OTHERWISE SPECIFIED			PROJECTION
LINEAR	ANGLE		UNITS
X. ± 0.50	X° ±		
.X ± 0.30	.X° ±		
.XX ± 0.20	.XX° ±		SCALE
.XXX ±	.XXX° ±		
APPD			SIZE
CHKD			
DRAW	Z	DEC. 08'2010	

GTK GOLD-TEK ELECTRIC CO., LTD.

TITLE: 4.2MM POWER CONN. HOUSING

PART NO. 1149**

CAD NO. 1056

SHEET 1 OF 1

CPART NO.

F:\PDF\HW\HW-0047

圖面編號:GTKSD1212-B(1)