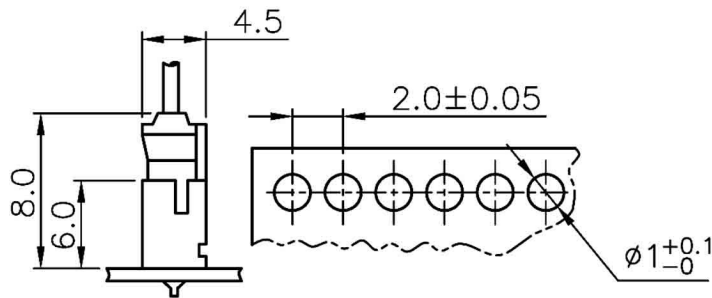
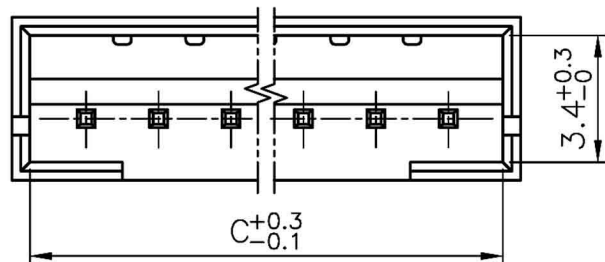


REV	ECN NO.	DESCRIPTION	DATE
A		RELEASE	MAR.25'04



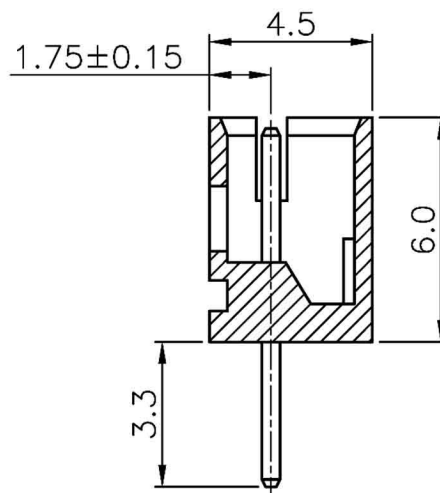
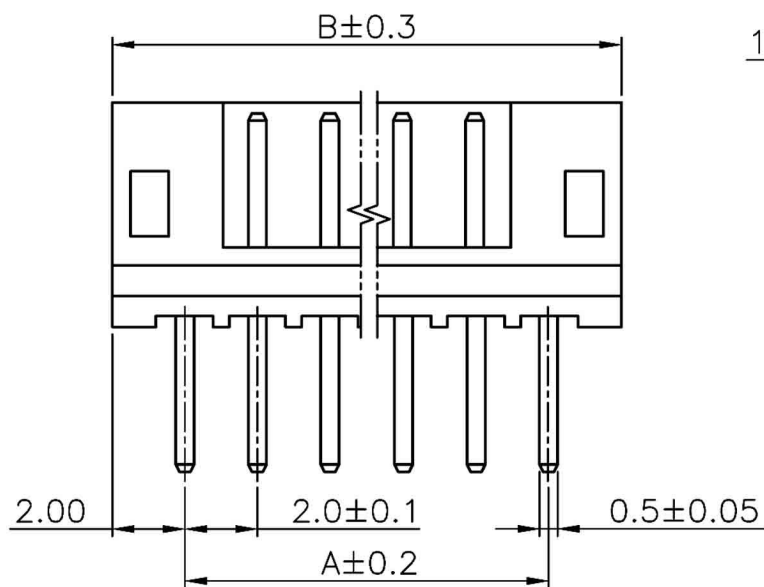
P.C.B. Hole Dimensions

■ SPECIFICATIONS

- Voltage Rating : 100V AC/DC
- Current Rating : 2A AC/DC
- Withstanding Voltage : 800V AC/minute
- Insulation Resistance : 1,000M $\Omega$  min
- Temperature Range : - 25 $^{\circ}$ C to + 85 $^{\circ}$ C
- Contact Resistance : 20m $\Omega$  max

■ WAFER

- Part No. : 1125\*\*ST
- Poles : 2-16
- Material : Contact : Brass, Tin Plated
- Base : Nylon 66 UL94V-0
- Q'ty : 1,000 pcs/Bag



Poles	Dimension(mm)		
	A	B	C
2	2.00	6.00	5.00
3	4.00	8.00	7.00
4	6.00	10.00	9.00
5	8.00	12.00	11.00
6	10.00	14.00	13.00
7	12.00	16.00	15.00
8	14.00	18.00	17.00
9	16.00	20.00	19.00
10	18.00	22.00	21.00
11	20.00	24.00	23.00
12	22.00	26.00	25.00
13	24.00	28.00	27.00
14	26.00	30.00	29.00
15	28.00	32.00	31.00
16	30.00	34.00	33.00

TOLERANCE UNLESS OTHERWISE SPECIFIED

LINEAR	ANGLE
X. $\pm$	X $^{\circ}$ $\pm$
.X $\pm$	.X $^{\circ}$ $\pm$
.XX $\pm$	.XX $^{\circ}$ $\pm$
.XXX $\pm$	.XXX $^{\circ}$ $\pm$

APPD  
CHKD  
DRAW Z. MAR.25'04

PROJECTION

UNITS  
MM  
SCALE  
SIZE  
A4



GOLD-TEK ELECTRIC CO., LTD.

TITLE  
CPART NO.

PART NO. 1125\*\*ST

CAD NO. F:\DRW\HW\HW-A0030

SHEET 1 OF 1

圖面編號:GTKSD1242-A(1)