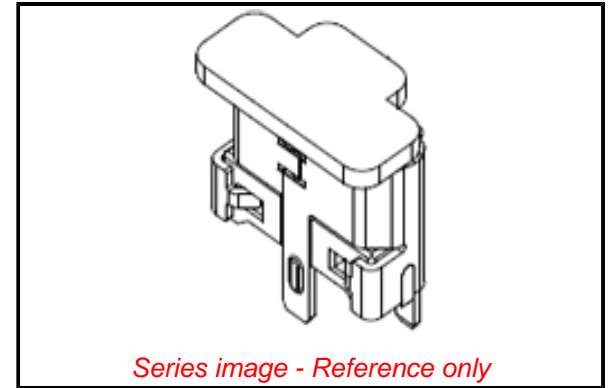


PLEASE CHECK WWW.MOLEX.COM FOR LATEST PART INFORMATION

Part Number: [1051330001](#)
Status: **Active**
Overview: [Consumer USB Products](#)
Description: Micro-USB B Receptacle 2.30mm, Vertical, Surface Mount, Lead-Free

Documents:

3D Model	Product Specification TS-105133-001-001 (PDF)
Drawing (PDF)	Packaging Specification PK-105133-001 (PDF)
Product Specification PS-105133-001-001 (PDF)	RoHS Certificate of Compliance (PDF)
Product Specification PS-47642-001-001 (PDF)	



Agency Certification

UL E107635

General

Product Family	I/O Connectors
Series	105133
Application	Wire-to-Board
Comments	Signal contacts 1.0A, Power contacts 1.8A
Component Type	Receptacle
Overview	Consumer USB Products
Product Name	USB 2.0
Type	Micro-B
UPC	884982164949

Physical

Boot Color	N/A
Circuits (Loaded)	5
Circuits (maximum)	5
Color - Resin	Black
Durability (mating cycles max)	10000
Flammability	94V-0
Gender	Receptacle
Keying to Mating Part	Yes
Lock to Mating Part	No
Material - Metal	Copper Alloy
Material - Plating Mating	Gold
Material - Plating Termination	Gold
Material - Resin	High Temperature Thermoplastic
Net Weight	0.360/g
Number of Rows	1
Orientation	Vertical
PCB Retention	None
Packaging Type	Embossed Tape on Reel
Panel Mount	No
Pitch - Mating Interface	0.65mm
Pitch - Termination Interface	0.65mm
Polarized to Mating Part	Yes
Ports	1
Surface Mount Compatible (SMC)	Yes
Temperature Range - Operating	-30°C to +85°C
Termination Interface: Style	Surface Mount
Waterproof / Dustproof	No

Electrical

Current - Maximum per Contact	1.8A, 1.0A
Grounding to Panel	Yes

EU ELV

Not Relevant

EU RoHS

Compliant

REACH SVHC

Not Contained Per -
ED/21/2016 (20 June
2016)

Halogen-Free

Status

Low-Halogen

Need more information on product environmental compliance?

Email productcompliance@molex.com
Please visit the [Contact Us](#) section for any non-product compliance questions.

China ROHS

ELV

RoHS Phthalates

Green Image

Not Relevant

Not Contained

Search Parts in this Series

[105133 Series](#)

Shield Type	Full Shield
Shielded	Yes
Voltage - Maximum	30V AC (RMS)

Solder Process Data

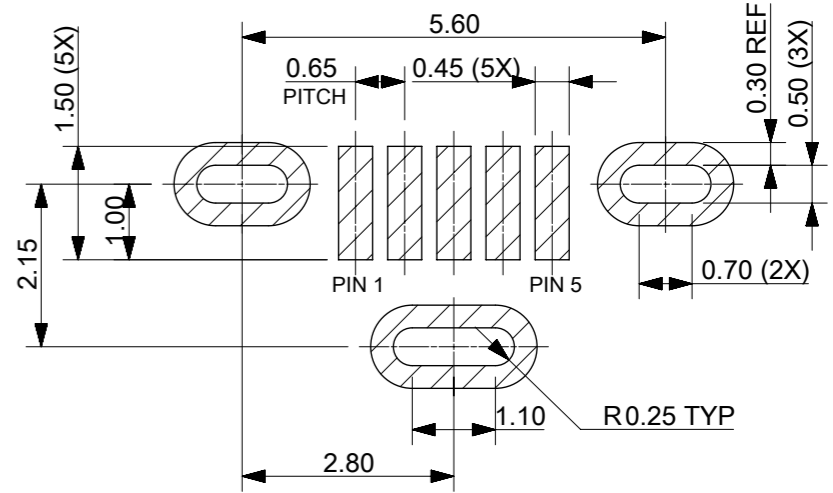
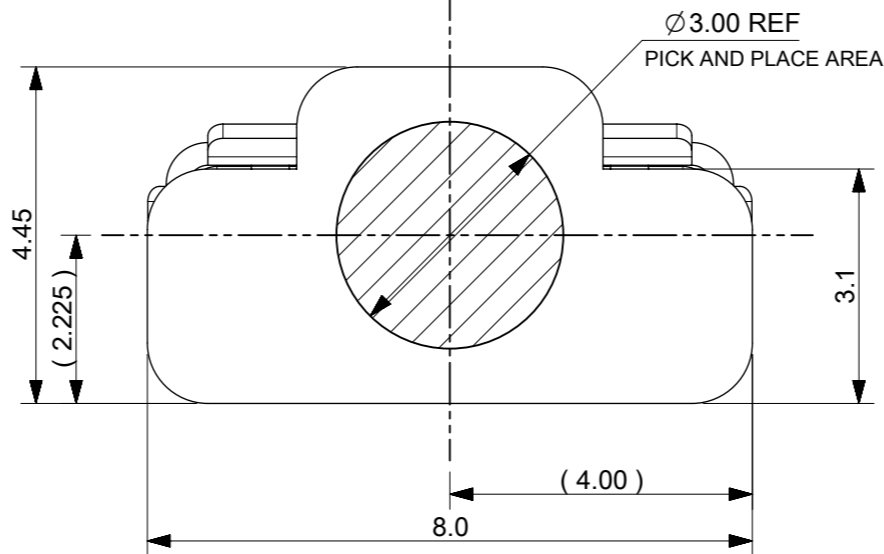
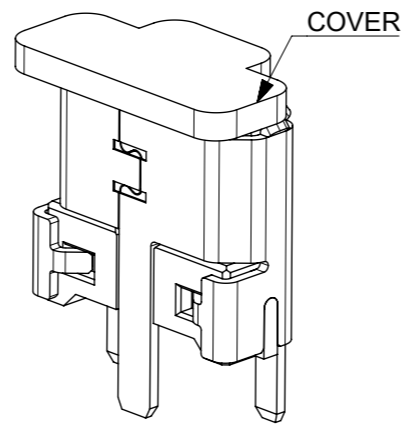
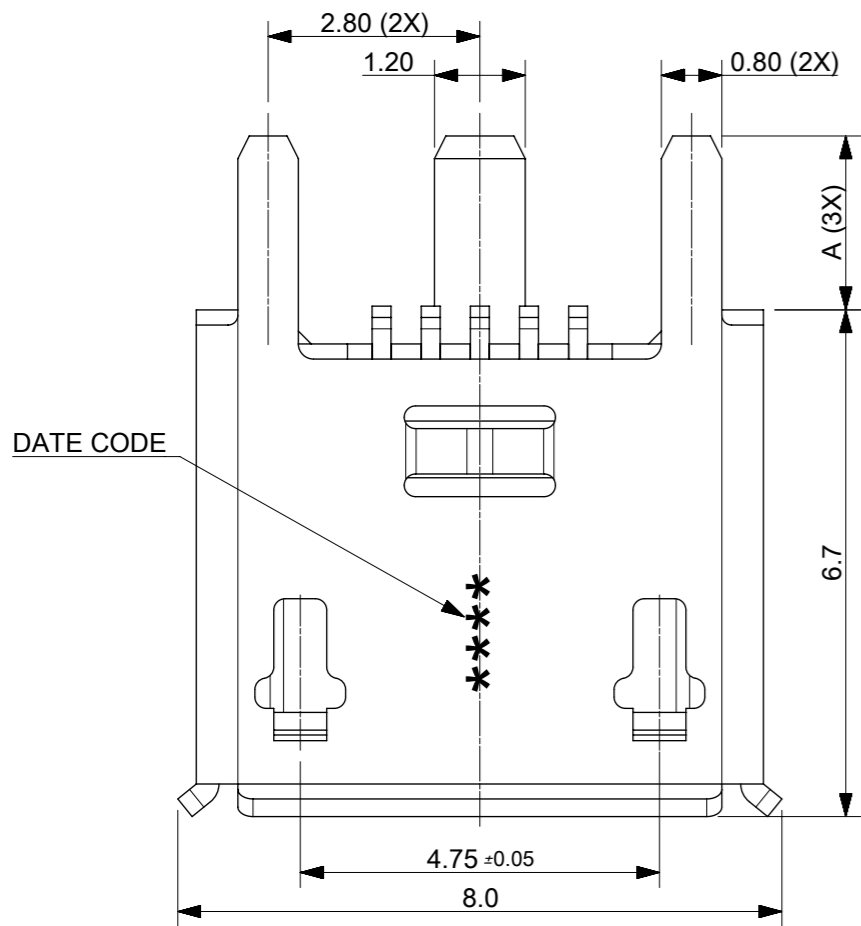
Duration at Max. Process Temperature (seconds)	010
Lead-free Process Capability	REFLOW
Max. Cycles at Max. Process Temperature	001
Process Temperature max. C	260

Material Info**Reference - Drawing Numbers**

Packaging Specification	PK-105133-001
Product Specification	PS-105133-001-001, PS-47642-001-001, TS-105133-001-001
Sales Drawing	SD-105133-001-000

This document was generated on 12/28/2016

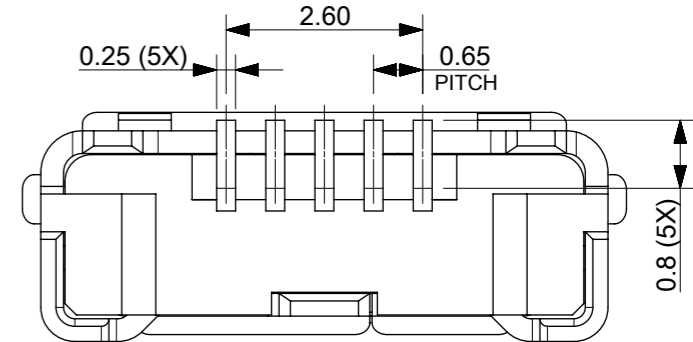
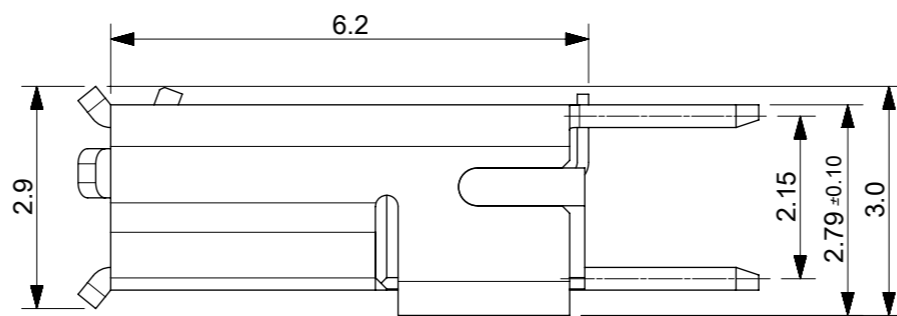
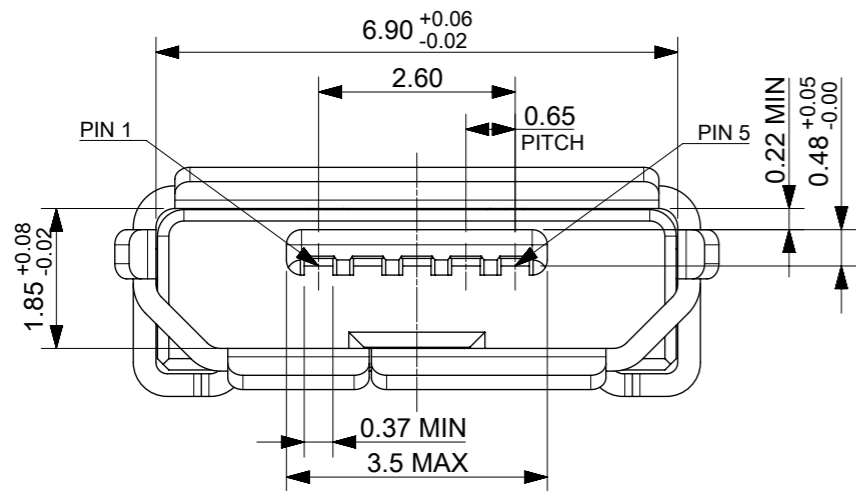
PLEASE CHECK WWW.MOLEX.COM FOR LATEST PART INFORMATION



RECOMMENDED PCB LAYOUT (THICKNESS: 1.6mm)
GENERAL TOLERANCE: ±0.05

PIN	NAME
5	GND
4	ID
3	D+
2	D-
1	VBUS

PIN ASSIGNMENT



105133-0002	1.70
105133-0001	2.30
PART NUMBER	DIM A

NOTES:

- MATERIAL:
HOUSING & COVER: HIGH TEMPERATURE THERMOPLASTIC, BLACK, UL94V-0;
TERMINAL: COPPER ALLOY, THICKNESS: 0.15mm;
SHELL: STAINLESS STEEL, THICKNESS: 0.30mm.
- PLATING:
TERMINAL: CONTACT AREA: GOLD FLASH OVER MINIMUM 0.75 MICRON Pd/Ni;
SOLDER TAIL AREA: GOLD FLASH;
UNDER PLATING: NICKEL 2.0 MICRON MINIMUM.
SHELL: MATTE TIN 1.27 MICRON MINIMUM;
UNDER PLATING: NICKEL 1.27 MICRON MINIMUM.
- TAIL COPLANARITY 0.08mm MAXIMUM.
- PRODUCT SPECIFICATION: PS-105133-001.
- PACKAGE SPECIFICATION: PK-105133-001.
- COMPLIANT TO RoHS DIRECTIVE 2011/65/EU AND ELV 2000/53/EC.

THIS DRAWING CONTAINS INFORMATION THAT IS PROPRIETARY TO MOLEX ELECTRONIC TECHNOLOGIES, LLC AND SHOULD NOT BE USED WITHOUT WRITTEN PERMISSION

ADD DIMENSIONS		GENERAL TOLERANCES (UNLESS SPECIFIED)		DIMENSION UNITS	SCALE				
EC NO: 108812	2016/08/25	ANGULAR TOL ± 3.0 °		MM	10:1				
DRWN: XQZHANG	2016/08/25	4 PLACES	±	DRWN BY	DATE	PRODUCT CUSTOMER DRAWING			
CHK'D: XQZHANG	2016/10/12	3 PLACES	±	CHK'D BY	DATE				
REV APPR: AYIN		2 PLACES	± 0.15	XJSONG	2009/09/16	105133	SEE TABLE	GENERAL MARKET	
		1 PLACE	± 0.25	XJSONG	2009/09/16	DOCUMENT NUMBER DOC TYPE DOC PART SHEET NUMBER			
		0 PLACES	±	RZHANG	2010/11/11				
DRAFT WHERE APPLICABLE MUST REMAIN WITHIN DIMENSIONS		DRAWING SIZE		THIRD ANGLE PROJECTION					
		A3							

RELEASE STATUS	RELEASE DATE