

RoHS COMPLIANT

REV	ECN NO.	DESCRIPTION	DATE
A		RELEASE	OCT. 22'03
B		ADD. RoHS	OCT. 28'08
C		MODIFY P/N	DEC. 09'10

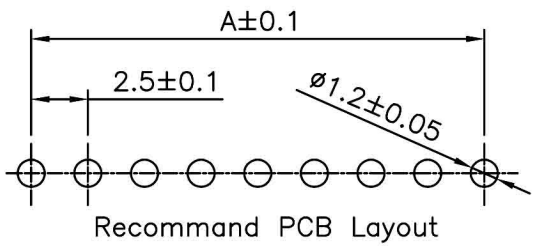
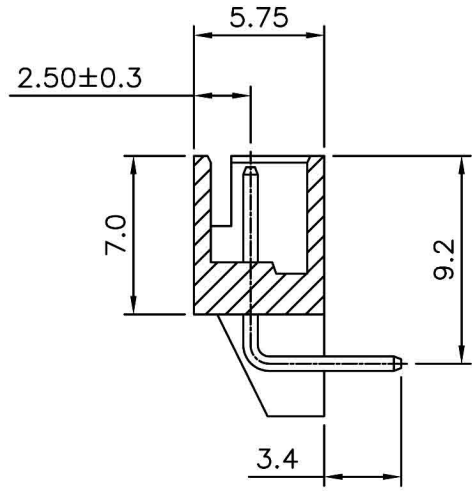
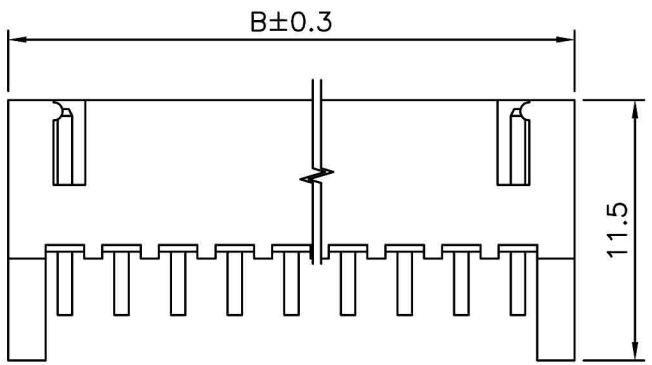
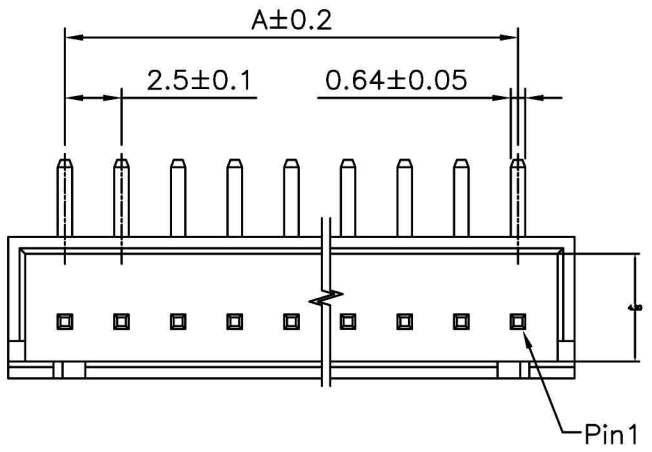
■ SPECIFICATIONS

- Voltage Rating : 250V AC/DC
- Current Rating : 3A AC/DC
- Withstanding Voltage : 1,000V AC/minute
- Insulation Resistance : 1,000MΩ min
- Temperature Range : - 25°C to + 85°C
- Contact resistance : 20mΩ max

■ WAFER

- Poles : 2 - 20
- Material : Contact : Brass, Tin Plated
Base : Nylon 66 UL94V-0
- Q' ty : 1,000 pcs./Bag

Poles	Dimensions(mm)		Poles	Dimensions(mm)	
	A	B		A	B
2	2.50	7.50	12	27.50	32.50
3	5.00	10.00	13	30.00	35.00
4	7.50	12.50	14	32.50	37.50
5	10.00	15.00	15	35.00	40.00
6	12.50	17.50	16	37.50	42.50
7	15.00	20.00	17	40.00	45.00
8	17.50	22.50	18	42.50	47.50
9	20.00	25.00	19	45.00	50.00
10	22.50	27.50	20	47.50	52.50
11	25.00	30.00			



TOLERANCE UNLESS OTHERWISE SPECIFIED		PROJECTION
LINEAR	ANGLE	
X. ±	X° ±	
.X ± 0.30	.X° ±	
.XX ± 0.20	.XX° ±	
.XXX ±	.XXX° ±	
APPD		UNITS
CHKD		MM
DRAW	Z.	SCALE
		SIZE
		A4
	DEC. 09'2010	

GTK GOLD-TEK ELECTRIC CO., LTD.

TITLE: 2.5mm Wafer Conn.

PART NO. 1001**RT

CAD NO. I056

F:\PDF\HW\HW-A0154

SHEET 1 OF 1

圖面編號:GTKSD1183-C(1)