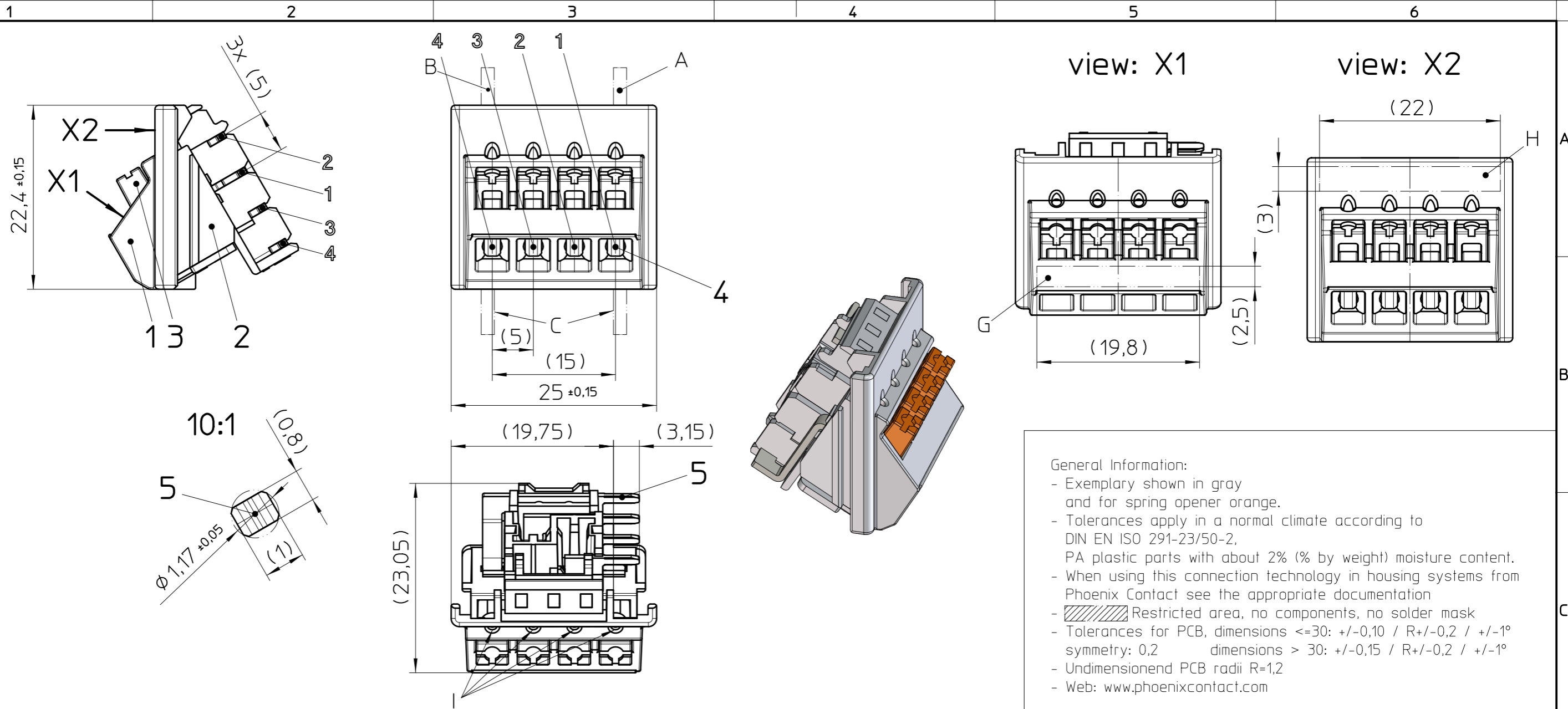


Transfer or duplication of this document as well as the utilisation or communication of its content are not permitted unless express consent is granted. Violations give rise to claims for damages. All rights reserved in case of patent, utility model or design patent registrations. Tolerance specifications do not include clearances inherent in the design.

Weitergabe sowie Vervielfältigung dieses Dokuments, Verwertung und Mitteilung seines Inhalts sind verboten, soweit nicht ausdrücklich gestattet. Zuwiderhandlungen verpflichten zu Schadensersatz. Alle Rechte für den Fall der Patent-, Gebrauchsmuster- oder Designeintragung vorbehalten. Bauartbedingtes Spiel ist in den Toleranzangaben nicht berücksichtigt.



General Information:

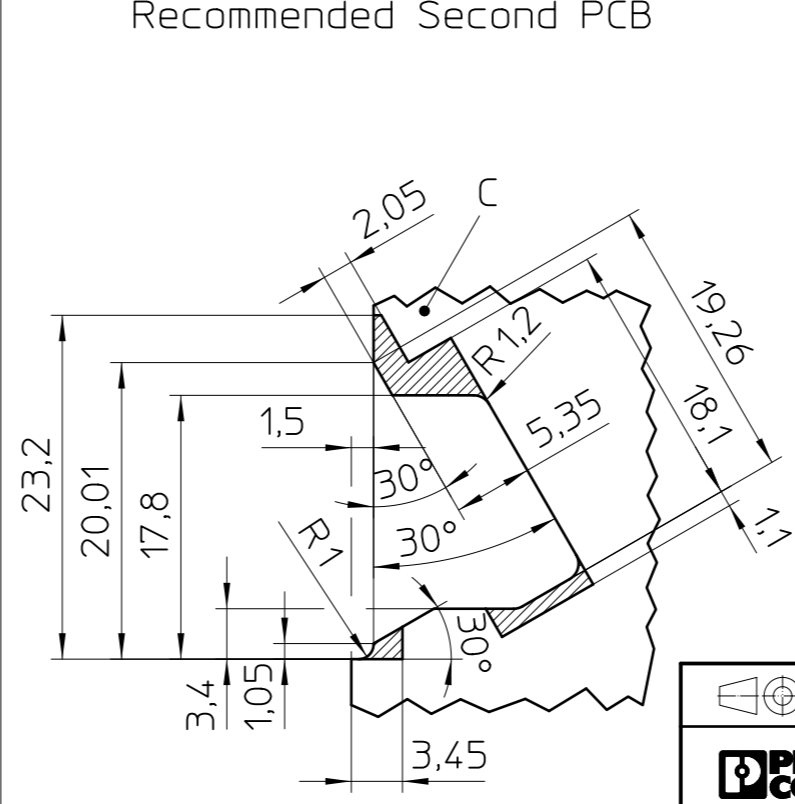
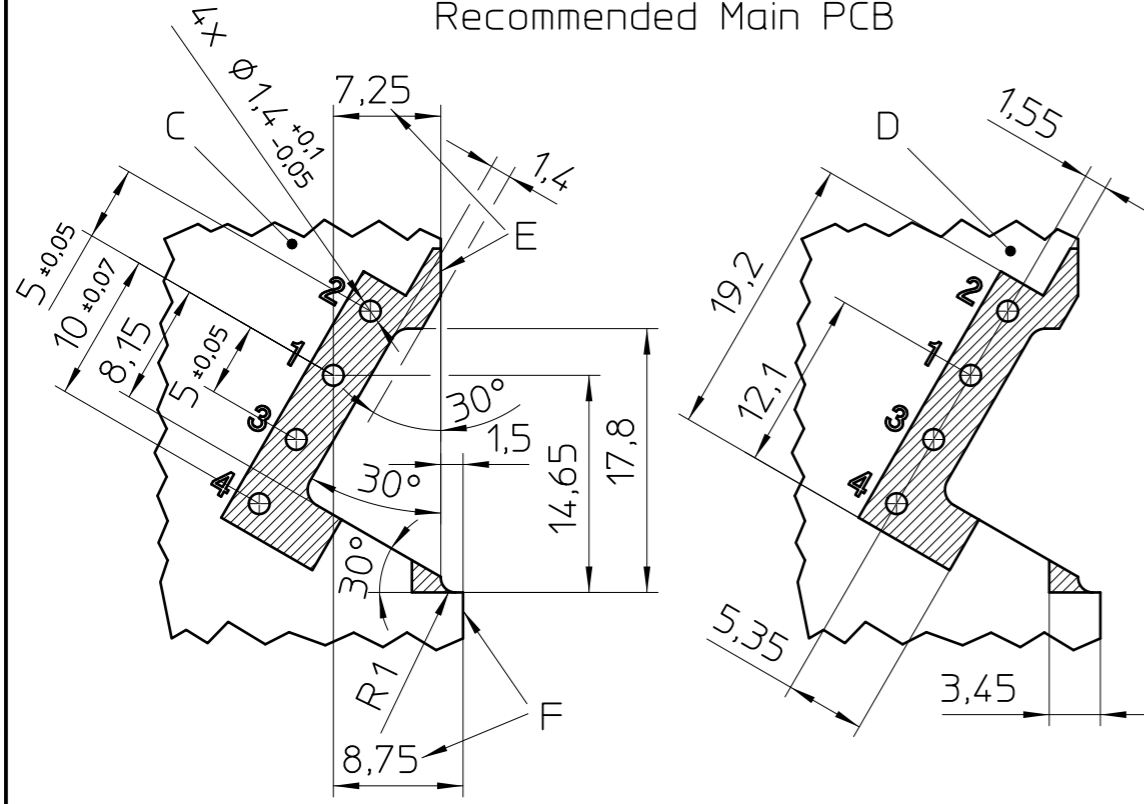
- Exemplary shown in gray and for spring opener orange.
- Tolerances apply in a normal climate according to DIN EN ISO 291-23/50-2, PA plastic parts with about 2% (% by weight) moisture content.
- When using this connection technology in housing systems from Phoenix Contact see the appropriate documentation
- Restricted area, no components, no solder mask
- Tolerances for PCB, dimensions <=30: +/-0,10 / R+/-0,2 / +/-1° symmetry: 0,2 dimensions > 30: +/-0,15 / R+/-0,2 / +/-1°
- Undimensioned PCB radii R=1,2
- Web: www.phoenixcontact.com

Additional Information:

- A. Main PCB t=1,6±0,2
- B. Second PCB t=1,6±0,2
- C. PCB top side
- D. PCB top side (dimensioning of restricted area)
- E. Dimension for PCB edge: ICC connection technology and ICS Filler
- F. Dimension for PCB edge: ICS housing
- G. Primary marking area
- H. Secondary marking area
- I. Tip test grip

Recommended Main PCB

Recommended Second PCB



Pos.	QTY	Description	Material
1	1	COVER	PA
2	1	HOUSING	PA
3	4	SPRING OPENER	PBT
4	4	SPRING	STL
5	4	SOLDER PIN	Cu alloy

	document-no. / ri	article-no.	scale	- Simplified representation - Document excluded from change process - Linear dimensions [mm]
	01568816 / 03	1474491	2:1	
	date	document-type		
	22.04.2025	TECDOC 2D_Productdrawing		
page 1	of 1	description		
		ICC25-TP2,5/4R5,0-7035		