

1

2

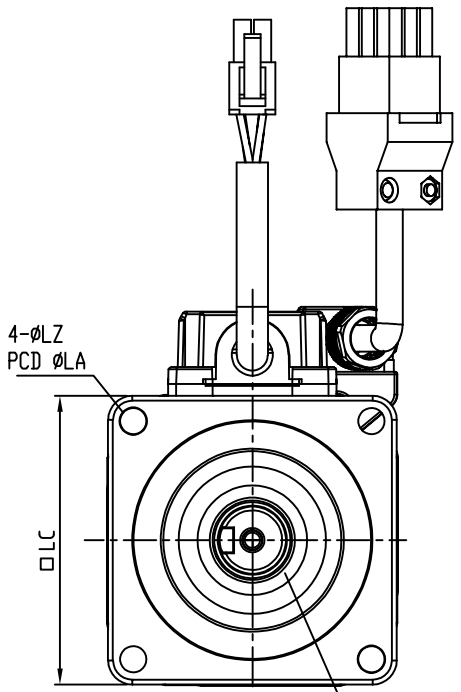
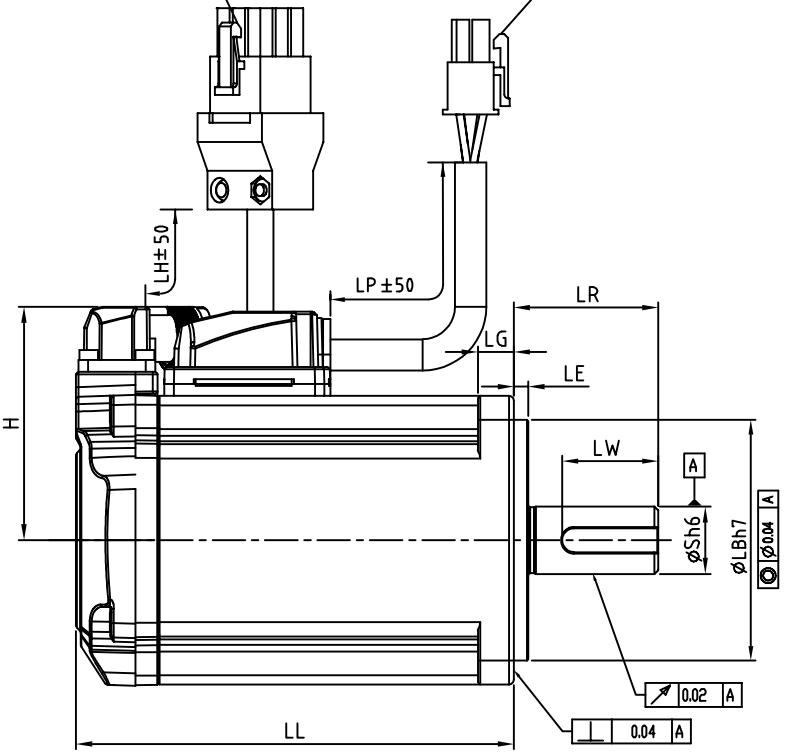
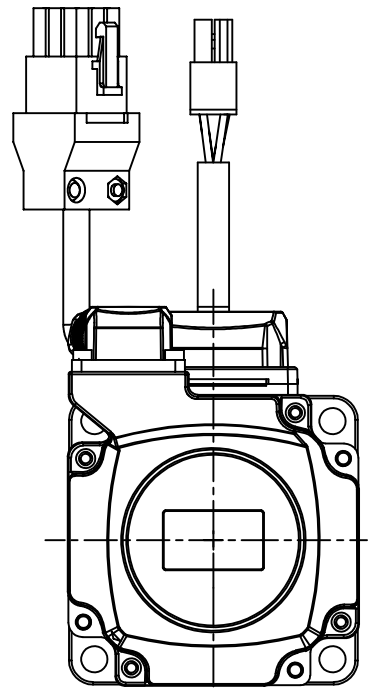
3

4

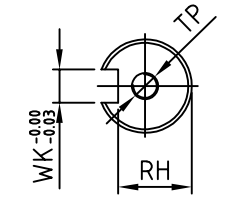
REV. ECN NO.

ENCODER CONNECTOR
AMP 1-172169-9

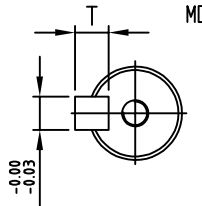
MOTOR CONNECTOR
CP-01104031



OIL_SEAL(TC TYPE)
ONLY FOR OIL-SEAL
MODEL



SHAFT END DETAILS



KEY DETAILS

DIMENSION TABLE

MODEL	LL	LR	LG	LW	WK	W	T	RH	TP	S	LF	LA	LZ	LB	LC	H	LH	LP
ECM-B3M-C□0602RS1	72.5	30	7.5	20	5	5	5	11	M4, Depth 15	14	3	70	5.5	50	60	48.5	300	300
ECM-B3M-C□0604RS1	91	30	7.5	20	5	5	5	11	M4, Depth 15	14	3	70	5.5	50	60	48.5	300	300
ECM-B3M-J□0604RS1	91	30	7.5	20	5	5	5	11	M4, Depth 15	14	3	70	5.5	50	60	48.5	300	300

台達電子工業股份有限公司
DELTA ELECTRONICS, INC.

DRAWN: DESIGN:
APPROVE: DATE: 05/03/2021

THESE DRAWINGS AND SPECIFICATIONS ARE THE PROPERTY OF DELTA ELECTRONICS, INC. AND SHALL NOT BE REPRODUCED OR USED AS THE BASIS FOR THE MANUFACTURE OR SELL OF APPARATUS OR DEVICES WITHOUT PERMISSION.

DIMENSIONAL TOLERANCES
< > < > < >
DECIMALS <50 ±0.1 <50 ±0.15 <50 ±0.2 <30° ±0.1*
X ±0.2 >50-100 ±0.2 >50-100 ±0.25 >100-200 ±0.3* >60°-90 ±0.3*
XX ±0.1 >200 ±0.2 >200 ±0.25 >200 ±0.3

DESCRIPTION: CONFIDENTIAL
ECM-B3M-F60

A3 PART NO.:
THIRD ANGLE PROJECTION

USED ON UNIT mm SCALE SHEET 1 OF 1 01

1

2

3

4